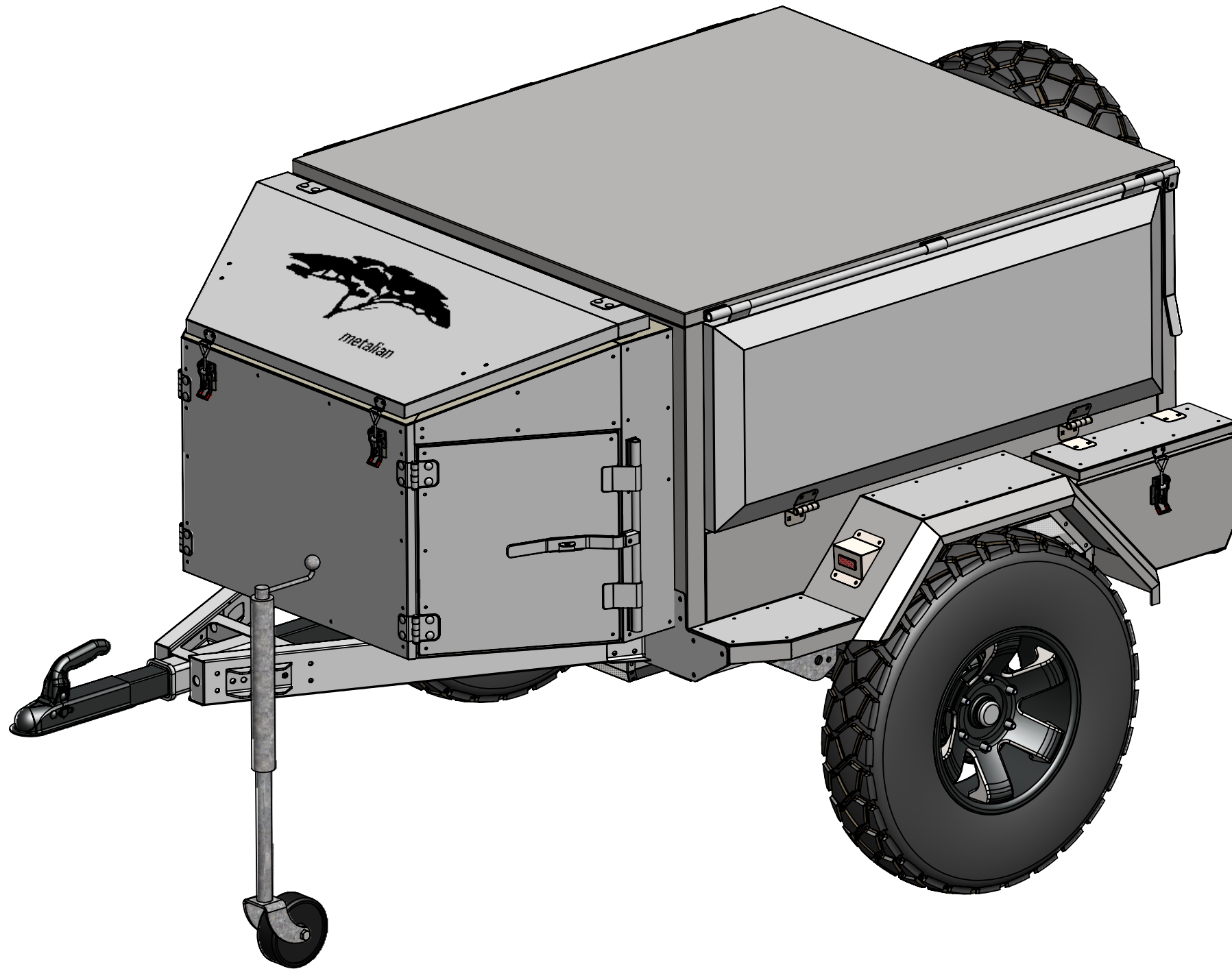


REV.	DATE	BY	DESCRIPTION	ECO#



**THE METALIAN GENIE TRAILER (EUROPEAN MODEL)
WITH OPTIONAL "80-20" NOSE CONE**

Sign below to approve drawing and give us a go ahead to manufacture as per drawing. **NB:** No work will be done prior to the drawing's approval.

APPROVED
Date: _____ Name: _____
Signature: _____



UNLESS OTHERWISE SPECIFIED:
DIMENSIONING AND TOLERANCING IS IN ACCORDANCE WITH ASME Y14.5-2009. UNTOLERANCED DIMENSIONS ARE BASIC. ALL DIMENSIONS ARE IN MILLIMETERS.

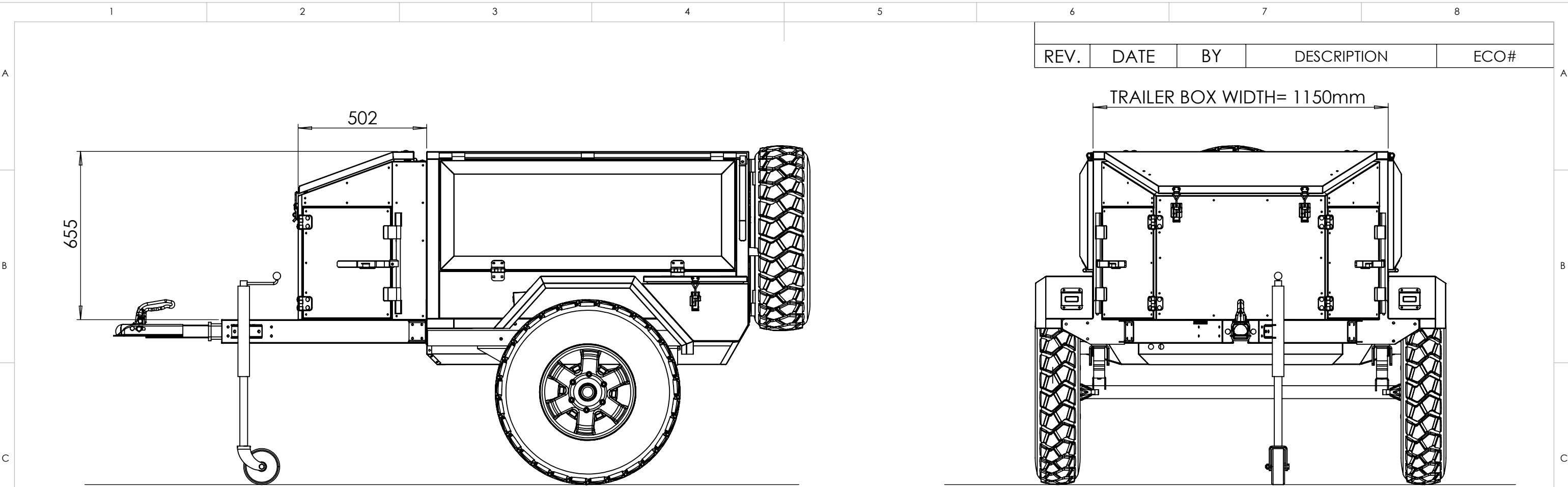


DEBUR AND BREAK SHARP EDGES DO NOT SCALE DRAWING ASK IF IN DOUBT

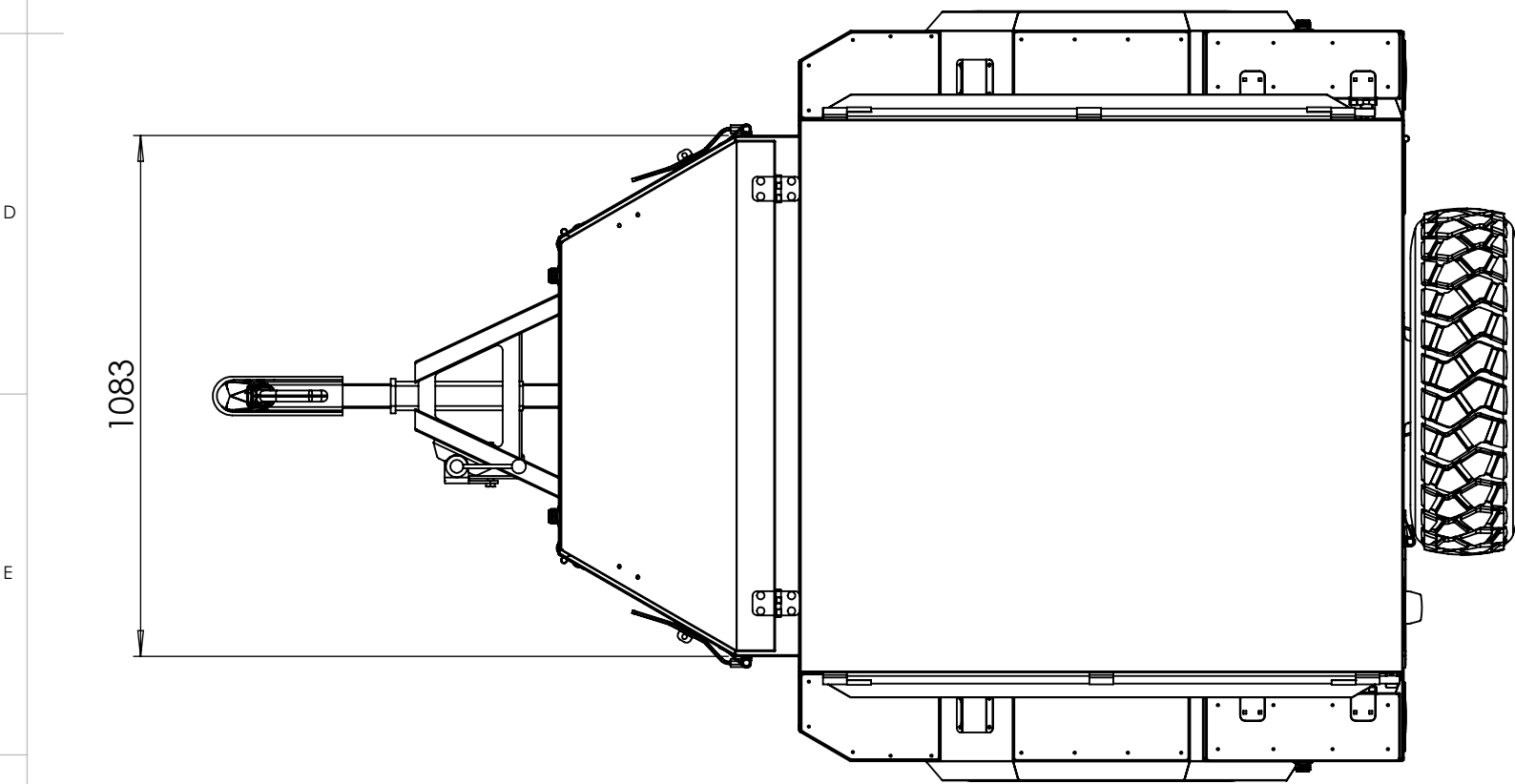
TITLE: Metalian Trailer - Genie 3rd Gen (Euro)		CLIENT:	
	NAME	DATE	
DRAWN BY		04 Aug 2020	
APPV'D BY		04 Aug 2020	

 <small>copyright © Heinz Modricky</small>			<small>34B Fabriek Street Kuilsvier, Cape Town South Africa Tel: +27 21 903 9623 Fax: +27 21 906 2090 www.metalian.co.za</small>
SCALE: 1:50	REV NO: 00	SHEET 4 OF 18	

MATERIAL:
THICKNESS:
FINISH:
DWG NO.



REV.	DATE	BY	DESCRIPTION	ECO#
------	------	----	-------------	------



**THE METALIAN GENIE TRAILER (EUROPEAN MODEL)
WITH **OPTIONAL** "80-20" NOSE CONE**

Sign below to approve drawing and give us a go ahead to manufacture as per drawing. **NB:** No work will be done prior to the drawing's approval.

APPROVED
Date: _____ Name: _____
Signature: _____



UNLESS OTHERWISE SPECIFIED:
DIMENSIONING AND TOLERANCING IS IN ACCORDANCE WITH ASME Y14.5-2009. UNTOLERANCED DIMENSIONS ARE BASIC. ALL DIMENSIONS ARE IN MILLIMETERS.



DEBUR AND BREAK SHARP EDGES DO NOT SCALE DRAWING ASK IF IN DOUBT

TITLE: Metalian Trailer - Genie 3rd Gen (Euro)		CLIENT:	
DRAWN BY	NAME	DATE	
APPV'D BY		04 Aug 2020	
		04 Aug 2020	

metalian
copyright © Heinz Modricky

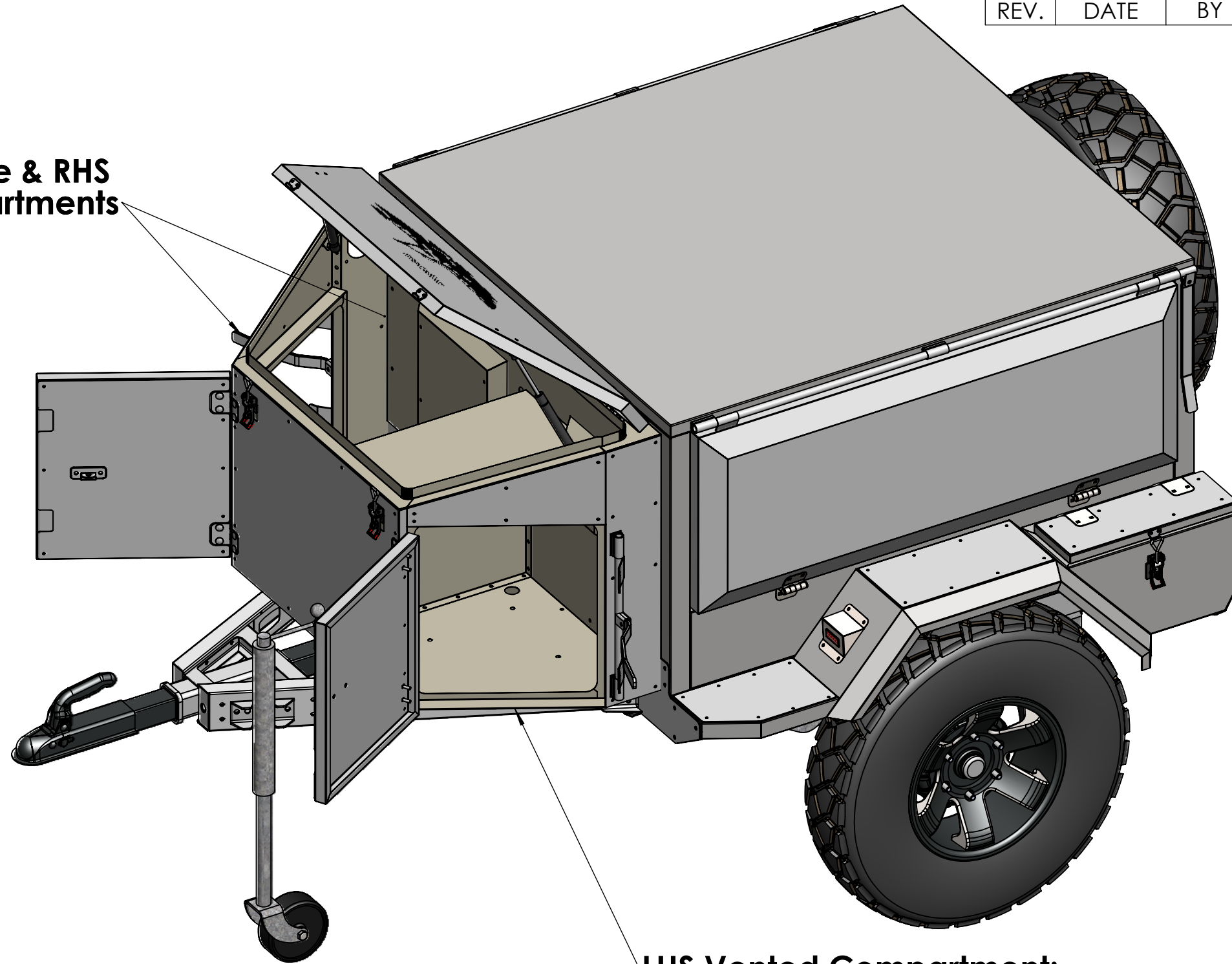
34B Fabriek Street
Kuilsriver, Cape Town
South Africa
Tel: +27 21 903 9623
Fax: +27 21 906 2090
www.metalian.co.za

SCALE:1:50 REV NO: 00 SHEET 5 OF 18

MATERIAL:
THICKNESS:
FINISH:
DWG NO.

REV.	DATE	BY	DESCRIPTION	ECO#

Top Side & RHS Storage Compartments



**LHS Vented Compartment:
Gas Bottle Unit Connection + Storage**

**THE METALIAN GENIE TRAILER (EUROPEAN MODEL)
WITH **OPTIONAL** "80-20" NOSE CONE**

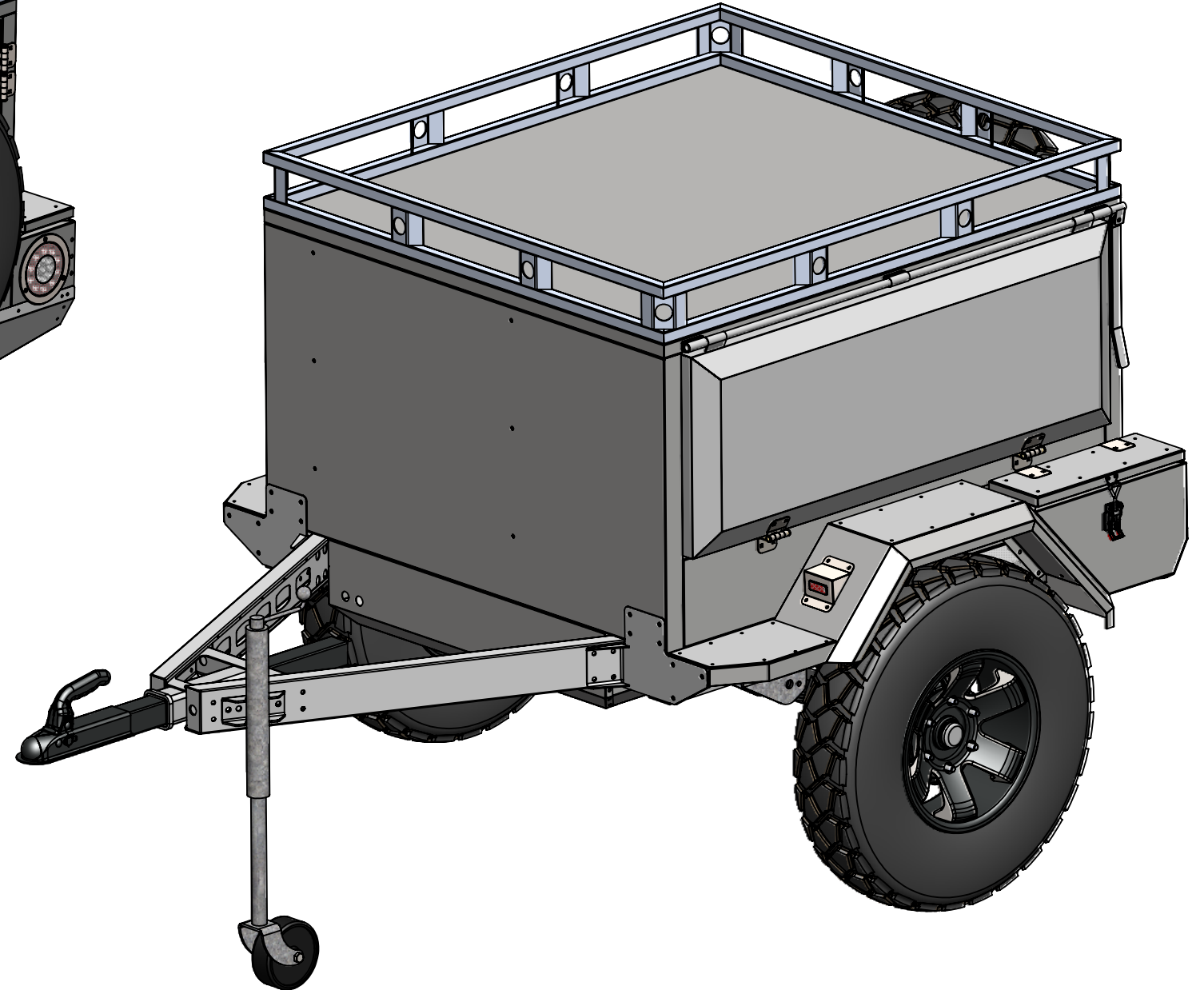
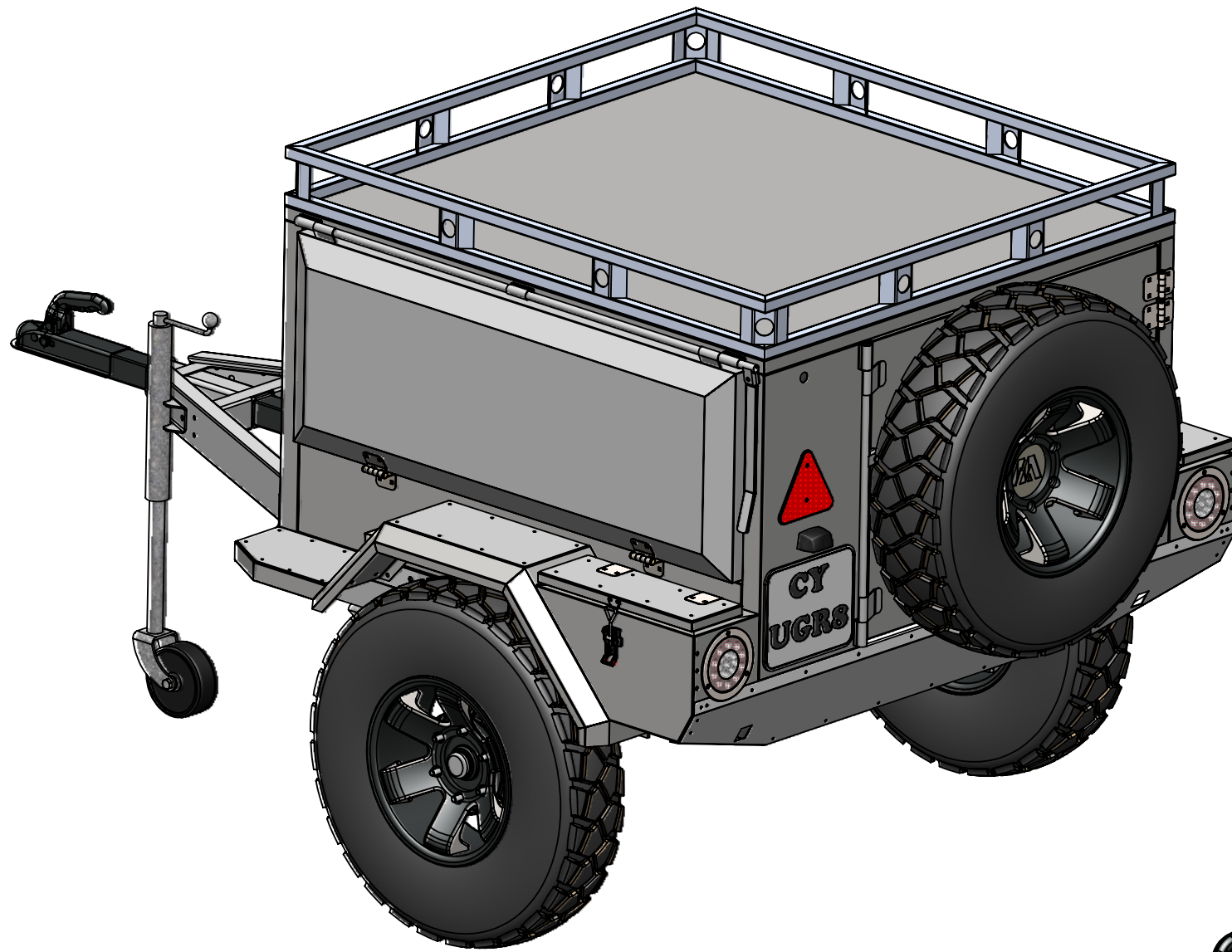
Sign below to approve drawing and give us a go ahead to manufacture as per drawing. **NB:** No work will be done prior to the drawing's approval.

APP
Date: _____
Signature: _____



UNLESS OTHERWISE SPECIFIED: DIMENSIONING AND TOLERANCING IS IN ACCORDANCE WITH ASME Y14.5-2009. UNTOLERANCED DIMENSIONS ARE BASIC. ALL DIMENSIONS ARE IN MILLIMETERS.	First Angle Projection	TITLE: Metalian Trailer - Genie 3rd Gen (Euro)		CLIENT:		MATERIAL:	
		DEBUR AND BREAK SHARP EDGES	DO NOT SCALE DRAWING	ASK IF IN DOUBT	DRAWN BY	DATE	copyright © Heinz Modricky
APPV'D BY	DATE	SCALE:1:50	REV NO: 00	SHEET 6 OF 18	FINISH:	DWG NO.	

REV.	DATE	BY	DESCRIPTION	ECO#



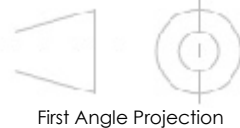
**THE METALIAN GENIE TRAILER (EUROPEAN MODEL)
WITH OPTIONAL ALUMINIUM ROOF RACK TYPE B**

Sign below to approve drawing and give us a go ahead to manufacture as per drawing. **NB:** No work will be done prior to the drawing's approval.

APPROVED
Date: _____ Name: _____
Signature: _____



UNLESS OTHERWISE SPECIFIED:
DIMENSIONING AND TOLERANCING IS IN ACCORDANCE WITH ASME Y14.5-2009. UNTOLERANCED DIMENSIONS ARE BASIC. ALL DIMENSIONS ARE IN MILLIMETERS.



DEBUR AND BREAK SHARP EDGES DO NOT SCALE DRAWING ASK IF IN DOUBT

TITLE: Metalian Trailer - Genie 3rd Gen (Euro)

NAME	DATE
DRAWN BY	04 Aug 2020
APPV'D BY	04 Aug 2020

CLIENT:



34B Fabriek Street
Kuilsriver, Cape Town
South Africa
Tel: +27 21 903 9623
Fax: +27 21 906 2090
www.metalian.co.za

MATERIAL:

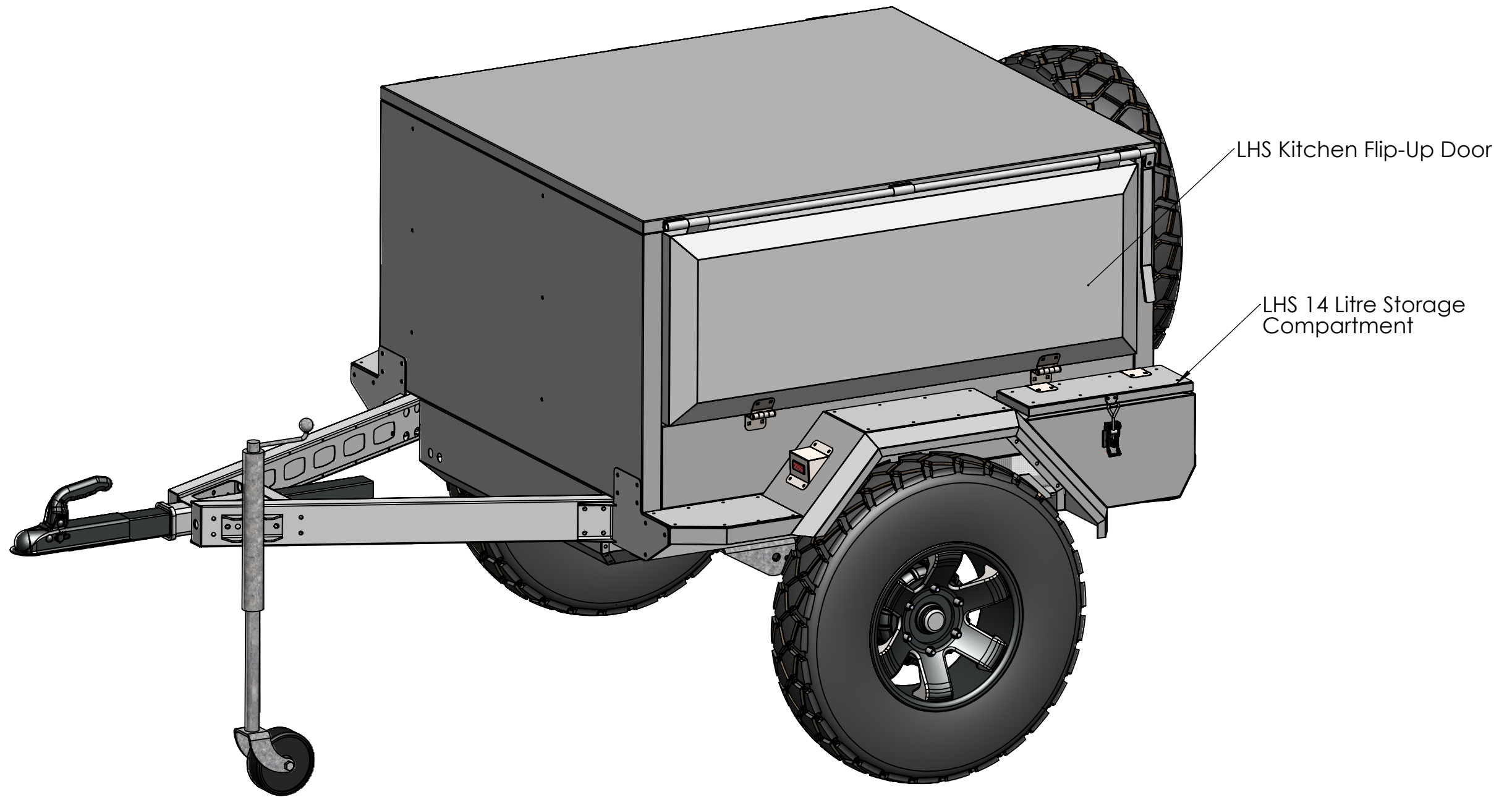
THICKNESS:

FINISH:

DWG NO.

SCALE:1:50 REV NO: 00 SHEET 8 OF 18

REV.	DATE	BY	DESCRIPTION	ECO#
------	------	----	-------------	------



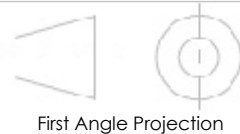
THE METALIAN GENIE TRAILER (EUROPEAN MODEL)

Sign below to approve drawing and give us a go ahead to manufacture as per drawing. **NB:** No work will be done prior to the drawing's approval.

APPROVED
 Date: _____ Name: _____
 Signature: _____



UNLESS OTHERWISE SPECIFIED:
 DIMENSIONING AND TOLERANCING IS IN ACCORDANCE WITH ASME Y14.5-2009.
 UNTOLERANCED DIMENSIONS ARE BASIC.
 ALL DIMENSIONS ARE IN MILLIMETERS.



DEBUR AND BREAK SHARP EDGES DO NOT SCALE DRAWING ASK IF IN DOUBT

TITLE: Metalian Trailer - Genie 3rd Gen (Euro)

NAME	DATE
DRAWN BY	04 Aug 2020
APPV'D BY	04 Aug 2020

CLIENT:



34B Fabriek Street
 Kuilsriver, Cape Town
 South Africa
 Tel: +27 21 903 9623
 Fax: +27 21 906 2090
 www.metalian.co.za

SCALE:1:50 REV NO: 00 SHEET 9 OF 18

MATERIAL:

THICKNESS:

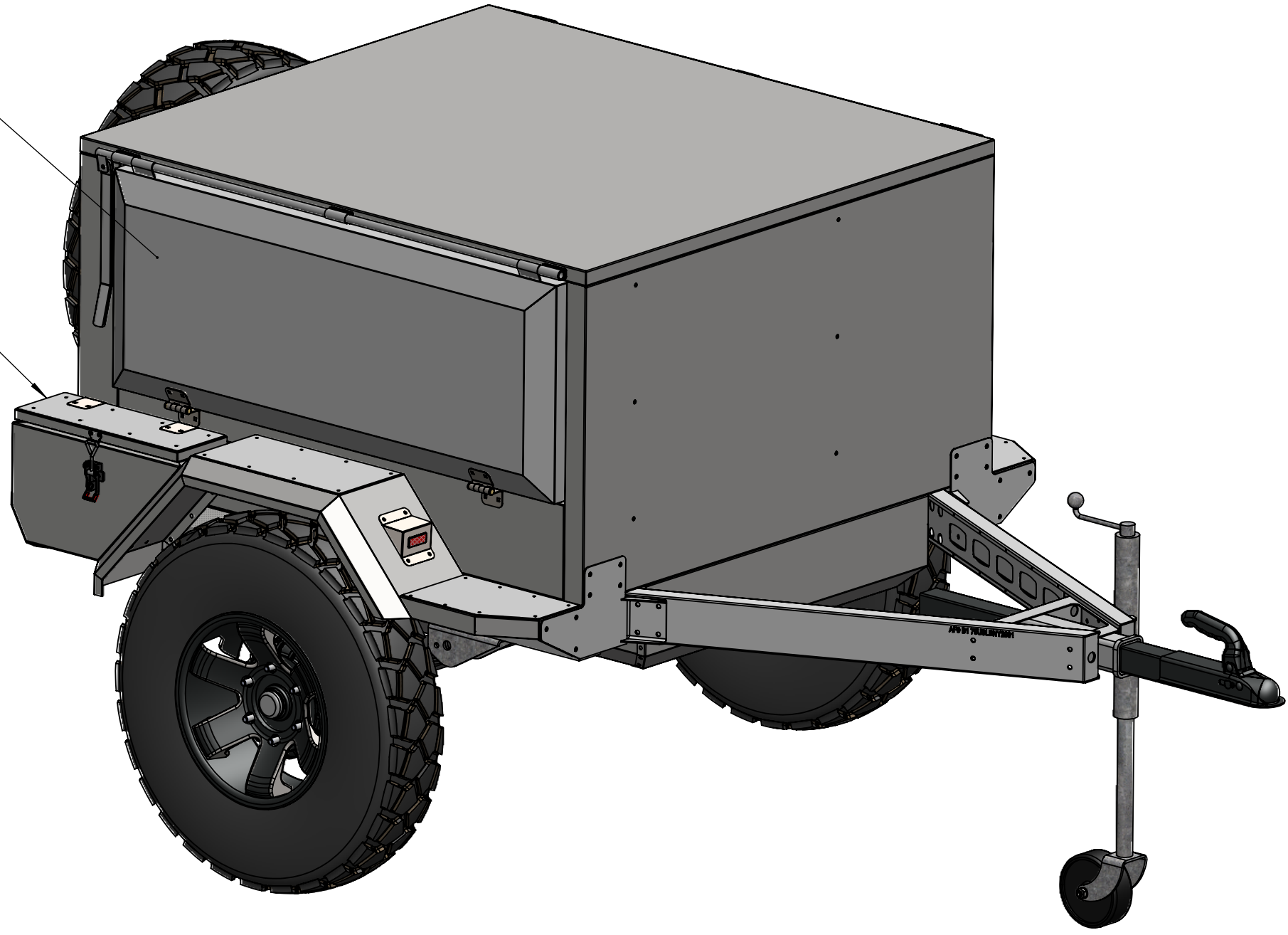
FINISH:

DWG NO.

REV.	DATE	BY	DESCRIPTION	ECO#

RHS Cupboard
Flip-Up Door

RHS 14 Litre Storage
Compartment

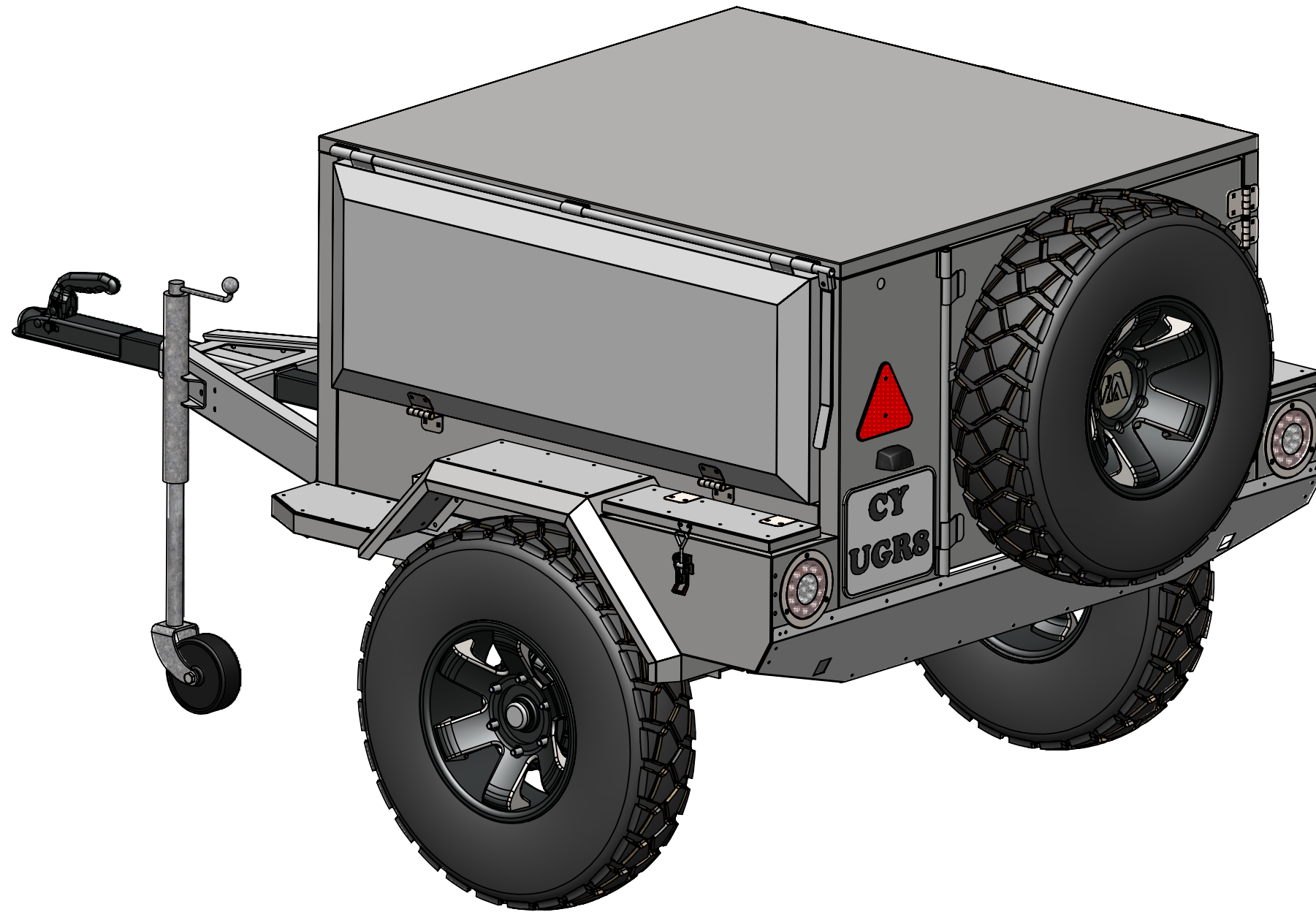


Sign below to approve drawing and give us a go ahead to manufacture as per drawing. **NB:** No work will be done prior to the drawing's approval.

APPROVED	
Date: _____	Name: _____
Signature: _____	

UNLESS OTHERWISE SPECIFIED: DIMENSIONING AND TOLERANCING IS IN ACCORDANCE WITH ASME Y14.5-2009. UNTOLERANCED DIMENSIONS ARE BASIC. ALL DIMENSIONS ARE IN MILLIMETERS.			TITLE: Metalian Trailer - Genie 3rd Gen (Euro)		CLIENT:		MATERIAL:	
First Angle Projection			DRAWN BY		04 Aug 2020		34B Fabriek Street Kuilsriver, Cape Town South Africa Tel: +27 21 903 9623 Fax: +27 21 906 2090 www.metalian.co.za	
DEBUR AND BREAK SHARP EDGES DO NOT SCALE DRAWING ASK IF IN DOUBT			APPV'D BY		04 Aug 2020		copyright © Heinz Modricky	
SCALE:1:50			REV NO: 00		SHEET 10 OF 18		THICKNESS: FINISH: DWG NO.	

REV.	DATE	BY	DESCRIPTION	ECO#

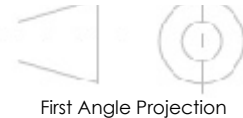


Sign below to approve drawing and give us a go ahead to manufacture as per drawing. **NB:** No work will be done prior to the drawing's approval.

APPROVED	
Date: _____	Name: _____
Signature: _____	



UNLESS OTHERWISE SPECIFIED:
 DIMENSIONING AND TOLERANCING IS IN ACCORDANCE WITH ASME Y14.5-2009.
 UNTOLERANCED DIMENSIONS ARE BASIC.
 ALL DIMENSIONS ARE IN MILLIMETERS.



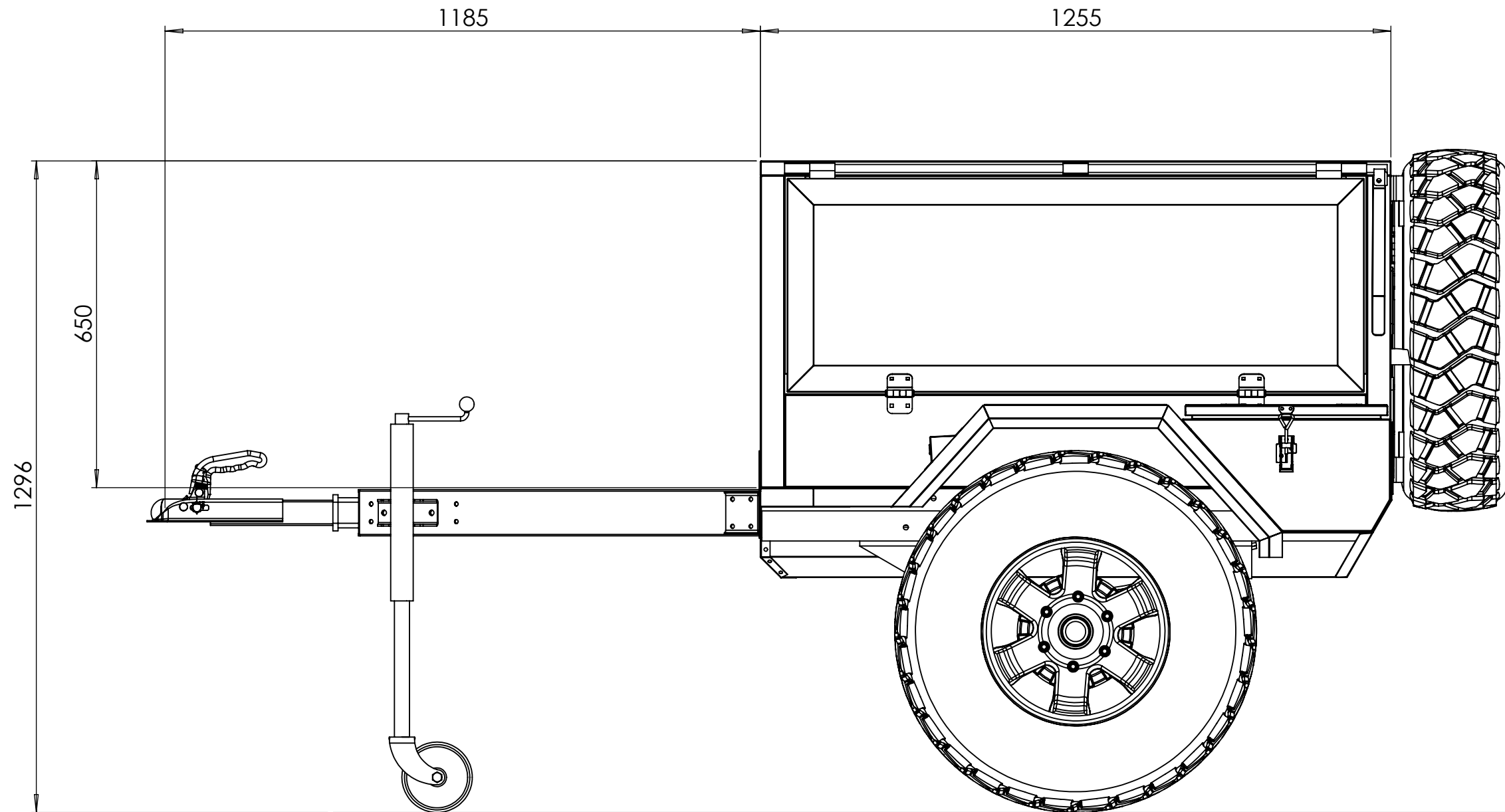
DEBUR AND BREAK SHARP EDGES DO NOT SCALE DRAWING ASK IF IN DOUBT

TITLE: Metalian Trailer - Genie 3rd Gen (Euro)		CLIENT:
	NAME	DATE
DRAWN BY		04 Aug 2020
APPV'D BY		04 Aug 2020

 <small>copyright © Heinz Modricky</small>			<small>34B Fabriek Street Kuilsriver, Cape Town South Africa Tel: +27 21 903 9623 Fax: +27 21 906 2090 www.metalian.co.za</small>
SCALE:1:50	REV NO: 00	SHEET 11 OF 18	

MATERIAL:
THICKNESS:
FINISH:
DWG NO.

REV.	DATE	BY	DESCRIPTION	ECO#



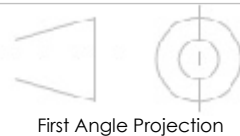
MAXIMUM TYRE WIDTH FOR GENIE EURO = 175mm
MAXIMUM TYRE DIAMETER FOR GENIE EURO = 700mm

Sign below to approve drawing and give us a go ahead to manufacture as per drawing. **NB:** No work will be done prior to the drawing's approval.

APPROVED
 Date: _____ Name: _____
 Signature: _____



UNLESS OTHERWISE SPECIFIED:
 DIMENSIONING AND TOLERANCING IS IN ACCORDANCE WITH ASME Y14.5-2009.
 UNTOLERANCED DIMENSIONS ARE BASIC.
 ALL DIMENSIONS ARE IN MILLIMETERS.

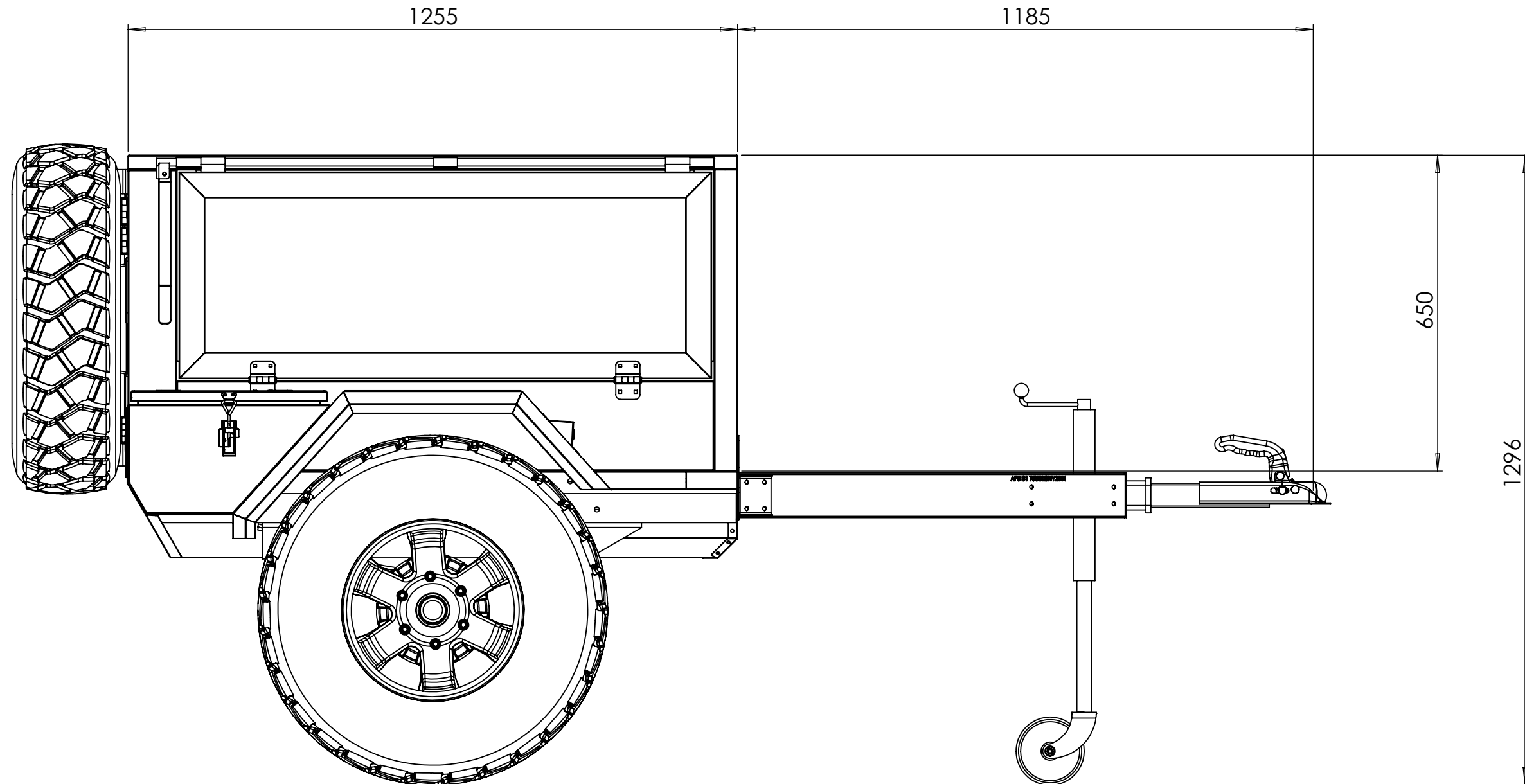


DEBUR AND BREAK SHARP EDGES DO NOT SCALE DRAWING ASK IF IN DOUBT

TITLE: Metalian Trailer - Genie 3rd Gen (Euro)	
NAME	DATE
DRAWN BY	04 Aug 2020
APPV'D BY	04 Aug 2020

CLIENT:	MATERIAL:
metalian copyright © Heinz Modricky	THICKNESS:
34B Fabriek Street Kuilsriver, Cape Town South Africa Tel: +27 21 903 9623 Fax: +27 21 906 2090 www.metalian.co.za	FINISH:
SCALE:1:50 REV NO: 00 SHEET 12 OF 18	DWG NO.

REV.	DATE	BY	DESCRIPTION	ECO#
------	------	----	-------------	------



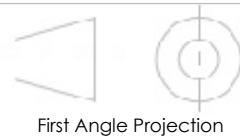
MAXIMUM TYRE WIDTH FOR GENIE EURO = 175mm
MAXIMUM TYRE DIAMETER FOR GENIE EURO = 700mm

Sign below to approve drawing and give us a go ahead to manufacture as per drawing. **NB:** No work will be done prior to the drawing's approval.

APPROVED
 Date: _____ Name: _____
 Signature: _____



UNLESS OTHERWISE SPECIFIED:
 DIMENSIONING AND TOLERANCING IS IN ACCORDANCE WITH ASME Y14.5-2009.
 UNTOLERANCED DIMENSIONS ARE BASIC.
 ALL DIMENSIONS ARE IN MILLIMETERS.



DEBUR AND BREAK SHARP EDGES DO NOT SCALE DRAWING ASK IF IN DOUBT

TITLE: Metalian Trailer - Genie 3rd Gen (Euro)

NAME	DATE
DRAWN BY	04 Aug 2020
APPV'D BY	04 Aug 2020

CLIENT:



34B Fabriek Street
 Kuilsriver, Cape Town
 South Africa
 Tel: +27 21 903 9623
 Fax: +27 21 906 2090
 www.metalian.co.za

MATERIAL:

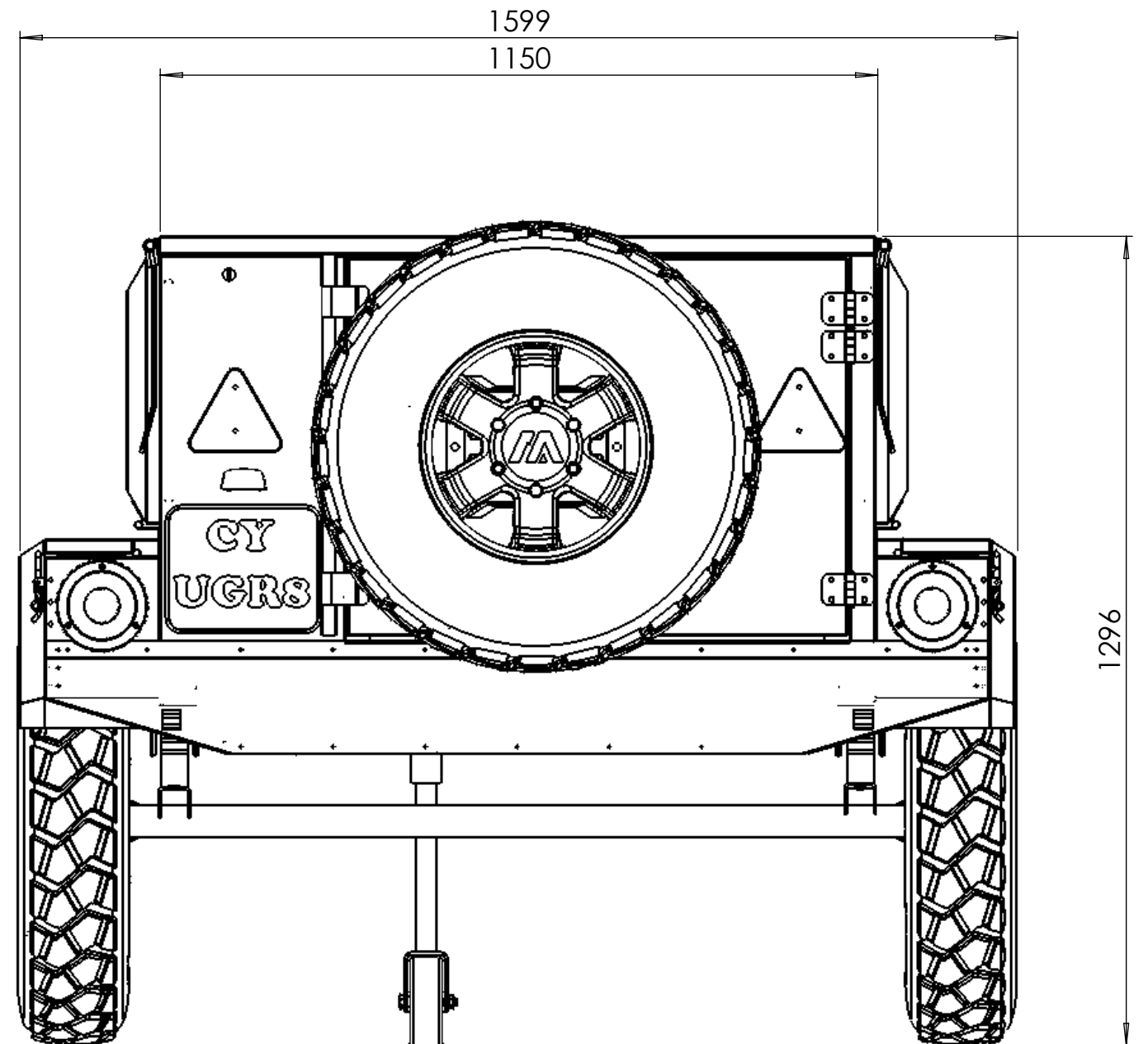
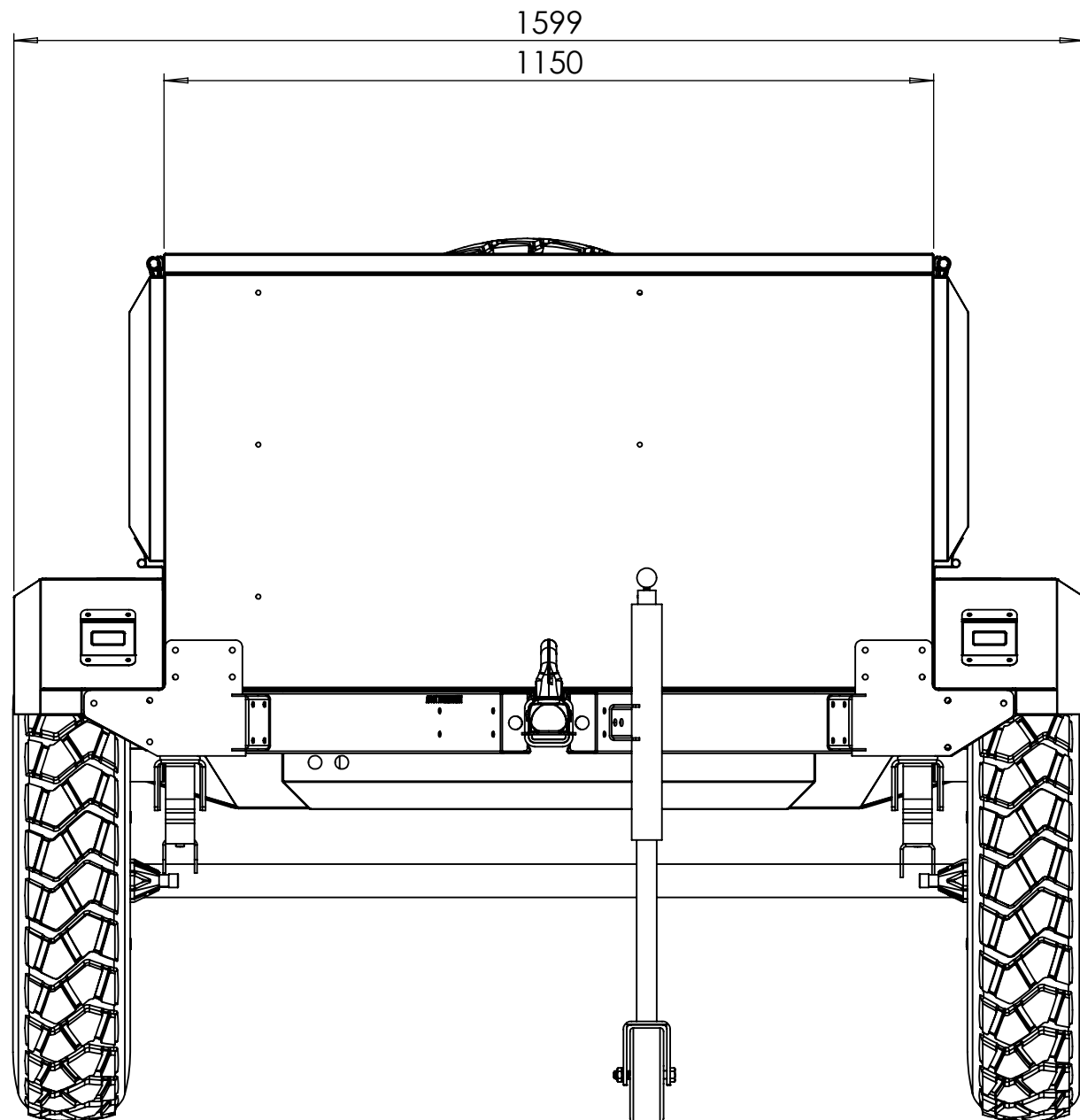
THICKNESS:

FINISH:

DWG NO.

SCALE:1:50 REV NO: 00 SHEET 13 OF 18

REV.	DATE	BY	DESCRIPTION	ECO#



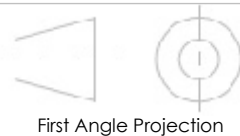
MAXIMUM TYRE WIDTH FOR GENIE EURO = 175mm
MAXIMUM TYRE DIAMETER FOR GENIE EURO = 700mm

Sign below to approve drawing and give us a go ahead to manufacture as per drawing. **NB:** No work will be done prior to the drawing's approval.

APPROVED
 Date: _____ Name: _____
 Signature: _____



UNLESS OTHERWISE SPECIFIED:
 DIMENSIONING AND TOLERANCING IS IN ACCORDANCE WITH ASME Y14.5-2009.
 UNTOLERANCED DIMENSIONS ARE BASIC.
 ALL DIMENSIONS ARE IN MILLIMETERS.

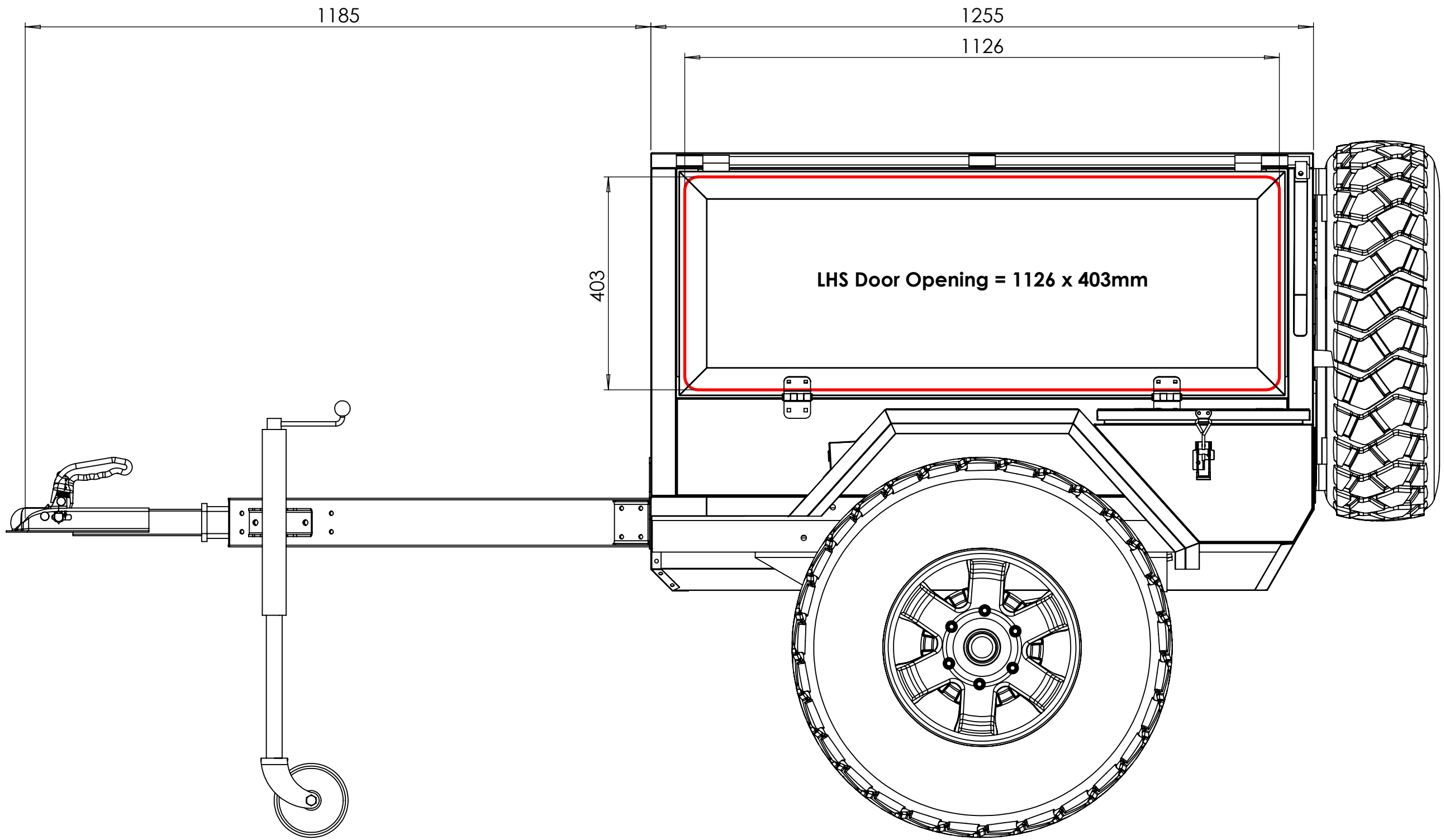


DEBUR AND BREAK SHARP EDGES DO NOT SCALE DRAWING ASK IF IN DOUBT

TITLE: Metalian Trailer - Genie 3rd Gen (Euro)		CLIENT:	
	NAME	DATE	
DRAWN BY		04 Aug 2020	
APPV'D BY		04 Aug 2020	

 <small>copyright © Heinz Modricky</small>			<small>34B Fabriek Street Kuilsriver, Cape Town South Africa Tel: +27 21 903 9623 Fax: +27 21 906 2090 www.metalian.co.za</small>
SCALE:1:50	REV NO: 00	SHEET 14 OF 18	MATERIAL:
			THICKNESS:
			FINISH:
			DWG NO.

REV.	DATE	BY	DESCRIPTION	ECO#
------	------	----	-------------	------

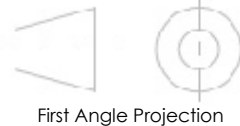


Sign below to approve drawing and give us a go ahead to manufacture as per drawing. **NB:** No work will be done prior to the drawing's approval.

APPROVED
 Date: _____ Name: _____
 Signature: _____



UNLESS OTHERWISE SPECIFIED:
 DIMENSIONING AND TOLERANCING IS IN ACCORDANCE WITH ASME Y14.5-2009.
 UNTOLERANCED DIMENSIONS ARE BASIC.
 ALL DIMENSIONS ARE IN MILLIMETERS.



DEBUR AND BREAK SHARP EDGES DO NOT SCALE DRAWING ASK IF IN DOUBT

TITLE: Metalian Trailer - Genie 3rd Gen (Euro)

NAME	DATE
DRAWN BY	04 Aug 2020
APPV'D BY	04 Aug 2020

CLIENT:



34B Fabriek Street
 Kuilsriver, Cape Town
 South Africa
 Tel: +27 21 903 9623
 Fax: +27 21 906 2090
 www.metalian.co.za

MATERIAL:

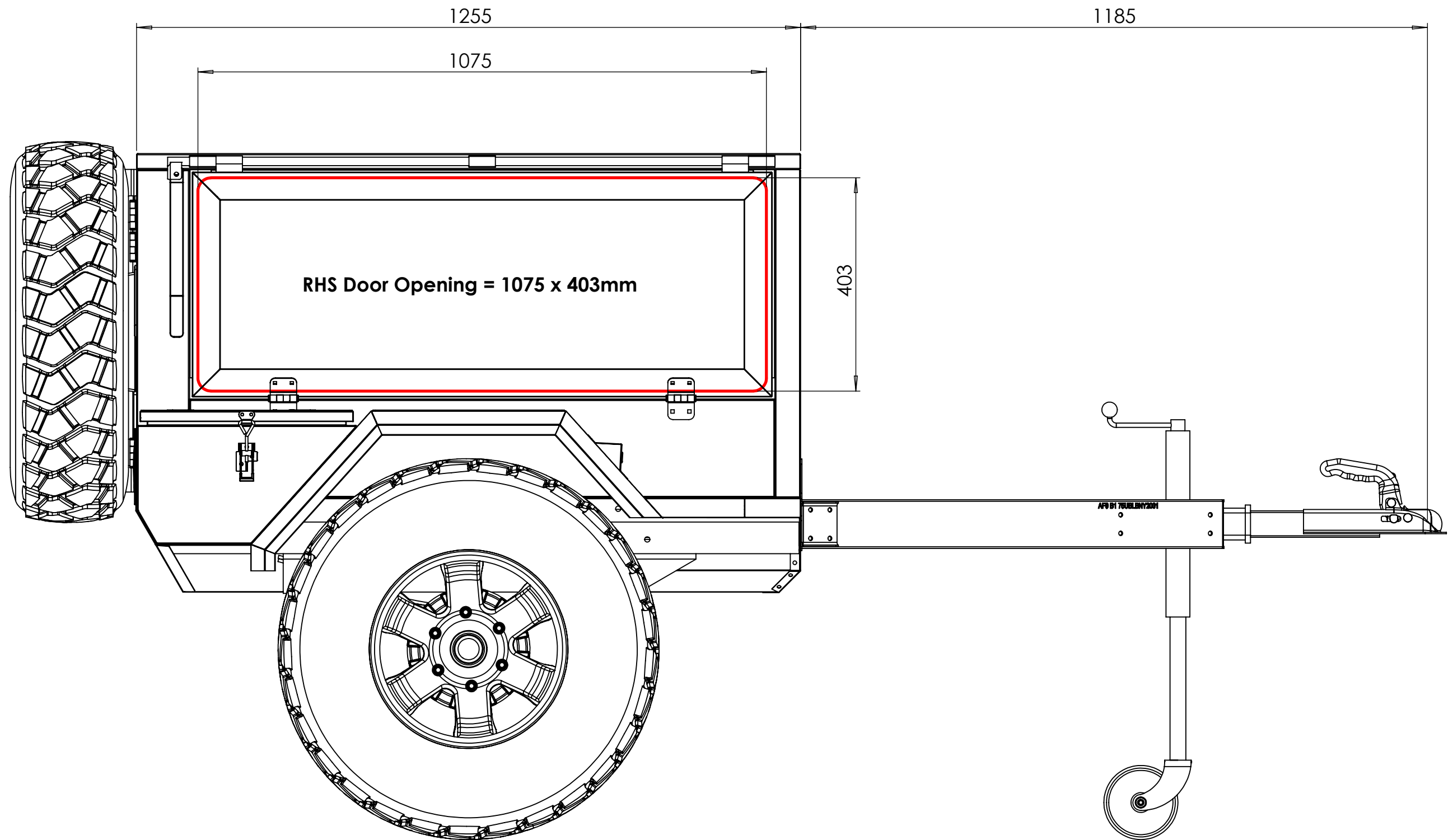
THICKNESS:

FINISH:

DWG NO.

SCALE:1:50 REV NO: 00 SHEET 15 OF 18

REV.	DATE	BY	DESCRIPTION	ECO#

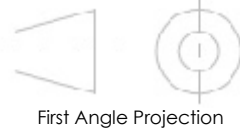


Sign below to approve drawing and give us a go ahead to manufacture as per drawing. **NB:** No work will be done prior to the drawing's approval.

APPROVED
 Date: _____ Name: _____
 Signature: _____



UNLESS OTHERWISE SPECIFIED:
 DIMENSIONING AND TOLERANCING IS IN ACCORDANCE WITH ASME Y14.5-2009.
 UNTOLERANCED DIMENSIONS ARE BASIC.
 ALL DIMENSIONS ARE IN MILLIMETERS.



DEBUR AND BREAK SHARP EDGES DO NOT SCALE DRAWING ASK IF IN DOUBT

TITLE: Metalian Trailer - Genie 3rd Gen (Euro)		CLIENT:
	NAME	DATE
DRAWN BY		04 Aug 2020
APPV'D BY		04 Aug 2020

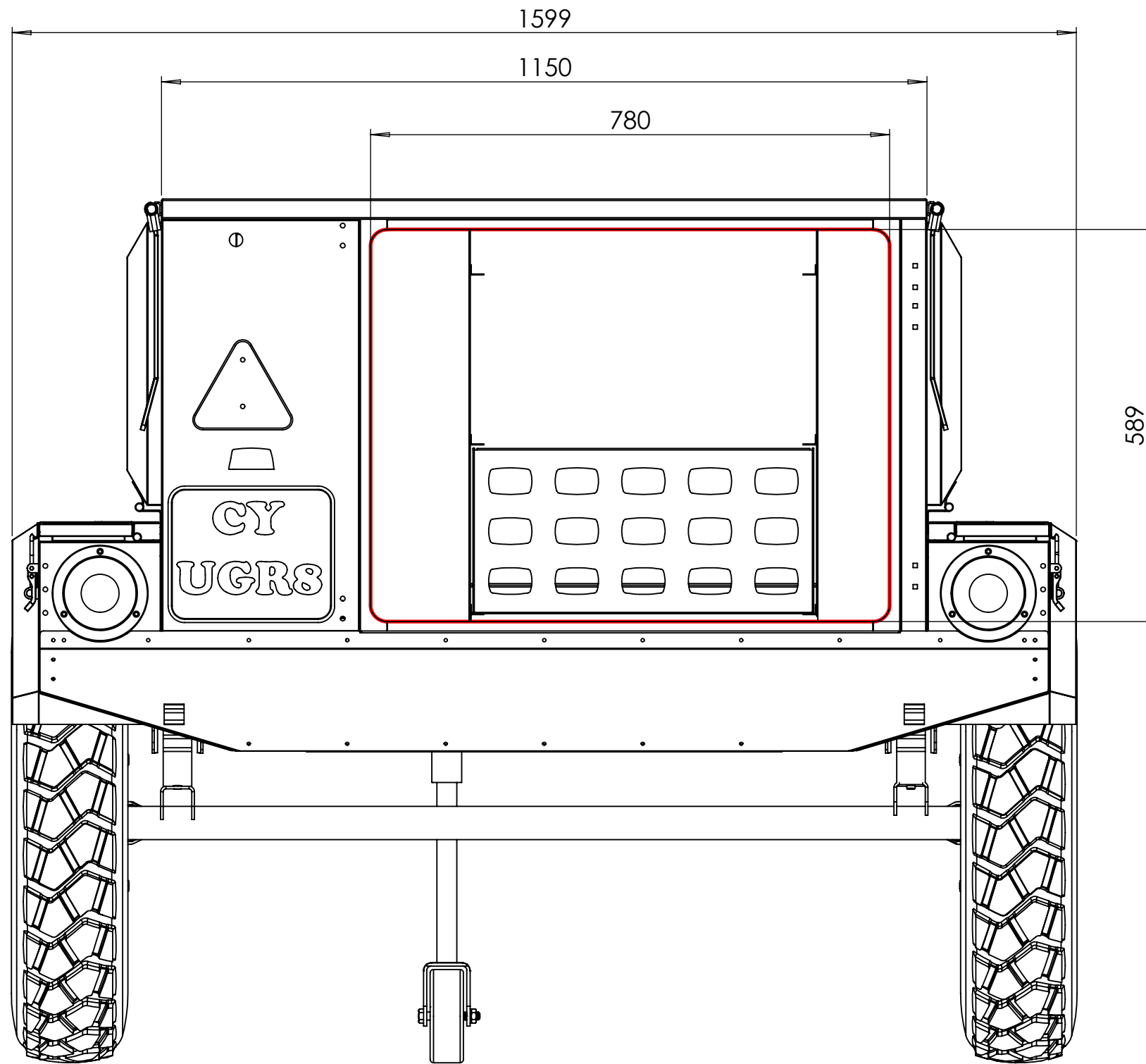
metalian
 copyright © Heinz Modricky

34B Fabriek Street
 Kuilsriver, Cape Town
 South Africa
 Tel: +27 21 903 9623
 Fax: +27 21 906 2090
 www.metalian.co.za

SCALE:1:50 REV NO: 00 SHEET 16 OF 18

MATERIAL:
THICKNESS:
FINISH:
DWG NO.

REV.	DATE	BY	DESCRIPTION	ECO#



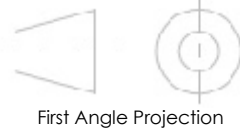
Door Opening = 780 x 589mm

Sign below to approve drawing and give us a go ahead to manufacture as per drawing. **NB:** No work will be done prior to the drawing's approval.

APPROVED
 Date: _____ Name: _____
 Signature: _____



UNLESS OTHERWISE SPECIFIED:
 DIMENSIONING AND TOLERANCING IS IN ACCORDANCE WITH ASME Y14.5-2009.
 UNTOLERANCED DIMENSIONS ARE BASIC.
 ALL DIMENSIONS ARE IN MILLIMETERS.



DEBUR AND BREAK SHARP EDGES DO NOT SCALE DRAWING ASK IF IN DOUBT

TITLE: Metalian Trailer - Genie 3rd Gen (Euro)

NAME	DATE
DRAWN BY	04 Aug 2020
APPV'D BY	04 Aug 2020

CLIENT:



34B Fabriek Street
 Kuilsriver, Cape Town
 South Africa
 Tel: +27 21 903 9623
 Fax: +27 21 906 2090
 www.metalian.co.za

MATERIAL:

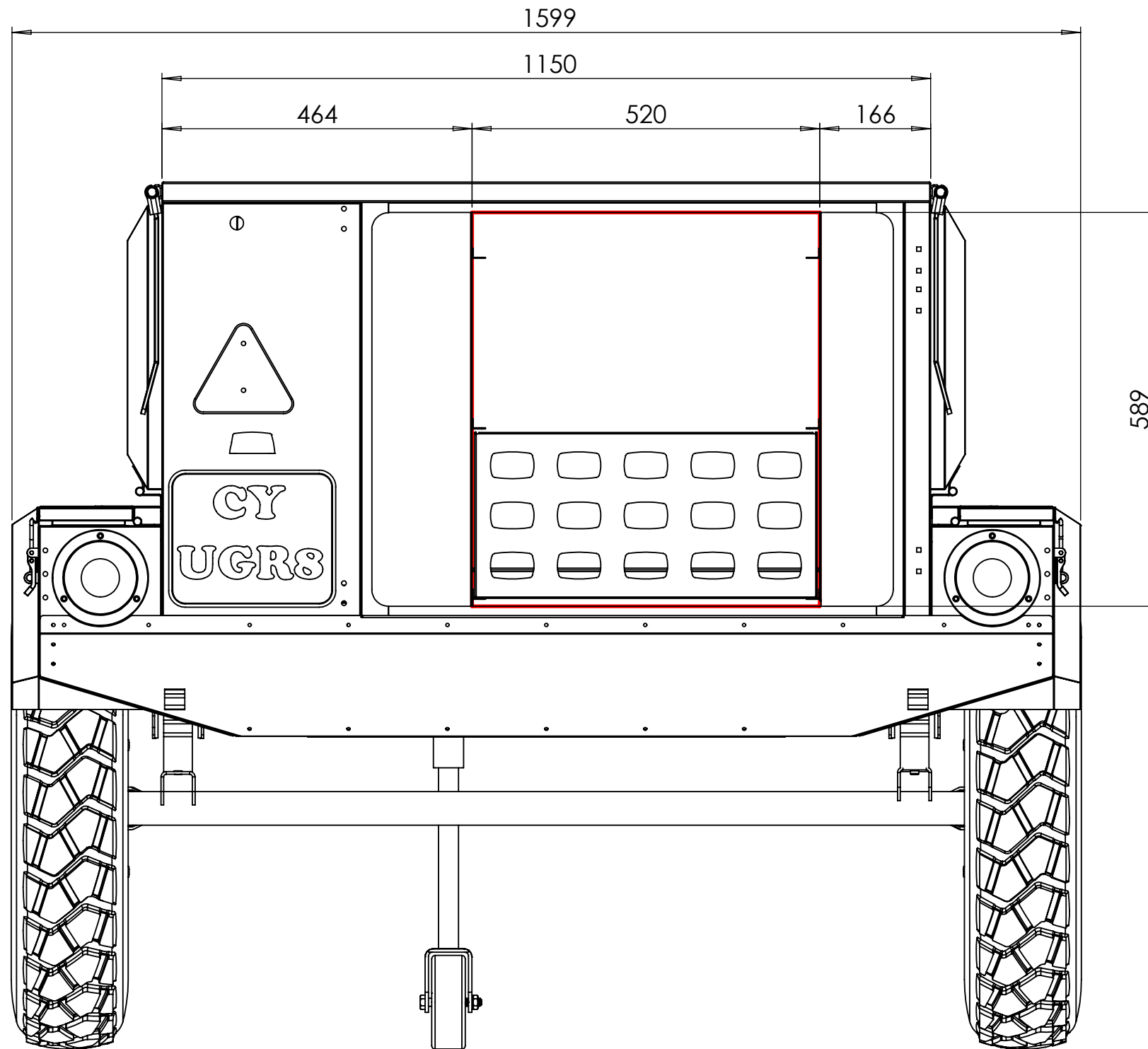
THICKNESS:

FINISH:

DWG NO.

SCALE:1:50 REV NO: 00 SHEET 17 OF 18

REV.	DATE	BY	DESCRIPTION	ECO#



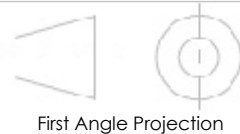
Cargo Load Opening = 520 x 589mm
LHS Kitchen Cupboard = 464mm Deep
RHS Cupboard = 166mm Deep

Sign below to approve drawing and give us a go ahead to manufacture as per drawing. **NB:** No work will be done prior to the drawing's approval.

APPROVED
 Date: _____ Name: _____
 Signature: _____



UNLESS OTHERWISE SPECIFIED:
 DIMENSIONING AND TOLERANCING IS IN ACCORDANCE WITH ASME Y14.5-2009.
 UNTOLERANCED DIMENSIONS ARE BASIC.
 ALL DIMENSIONS ARE IN MILLIMETERS.



DEBUR AND BREAK SHARP EDGES DO NOT SCALE DRAWING ASK IF IN DOUBT

TITLE: Metalian Trailer - Genie 3rd Gen (Euro)

NAME	DATE
DRAWN BY	04 Aug 2020
APPV'D BY	04 Aug 2020

CLIENT:



34B Fabriek Street
 Kuilsriver, Cape Town
 South Africa
 Tel: +27 21 903 9623
 Fax: +27 21 906 2090
 www.metalian.co.za

MATERIAL:

THICKNESS:

FINISH:

DWG NO.

SCALE:1:50 REV NO: 00 SHEET 18 OF 18