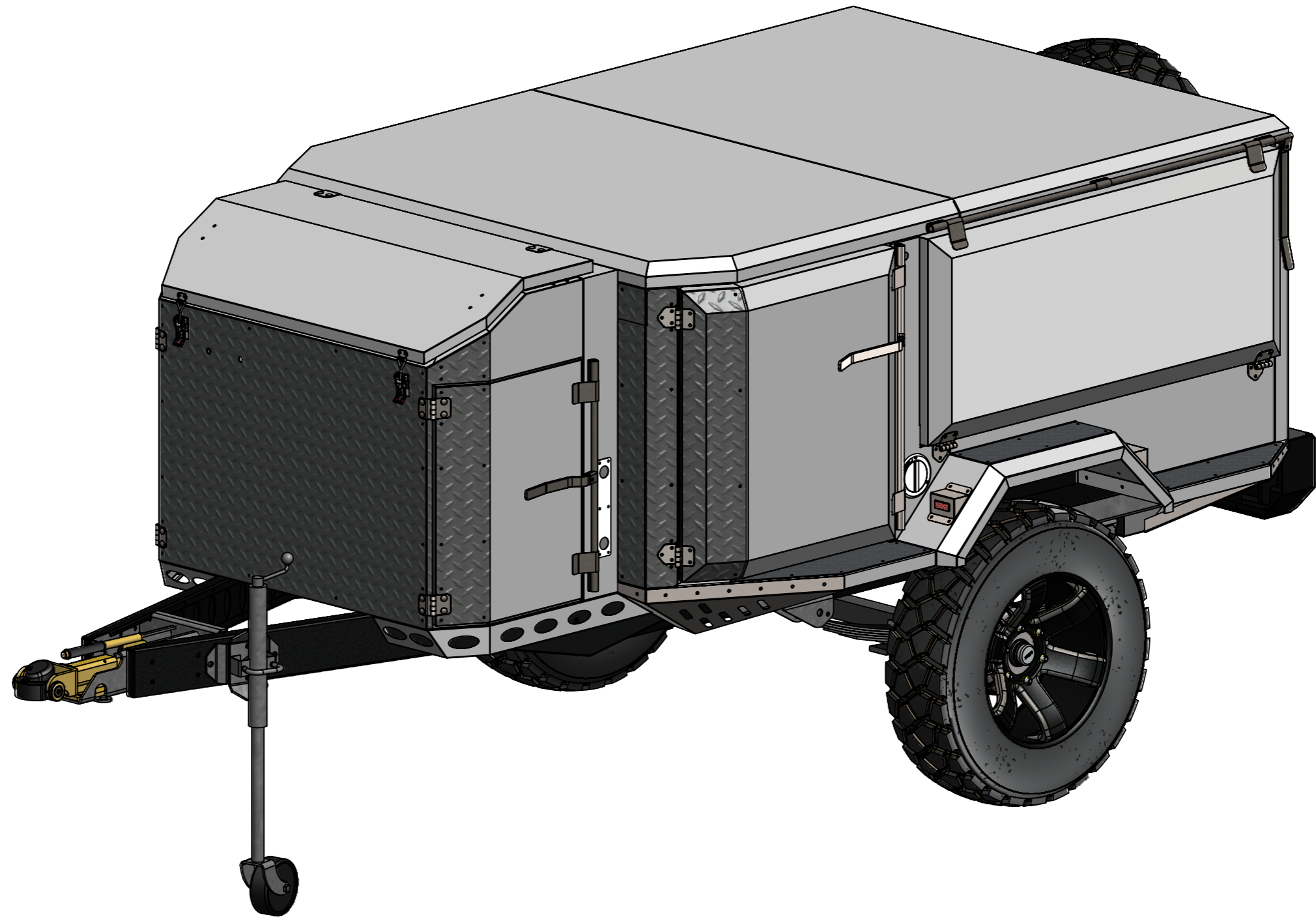


REVISIONS				
REV.	DATE	BY	DESCRIPTION	ECO #

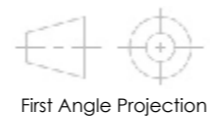


Sign below to approve drawing and give us a go ahead to manufacture as per drawing. **NB:** No work will be done prior to the drawing's approval.

APPROVED	
Date: _____	Name: _____
Signature: _____	



UNLESS OTHERWISE SPECIFIED:
 DIMENSIONING AND TOLERANCING IS IN ACCORDANCE WITH ASME Y14.5-2009.
 UNTOLERANCED DIMENSIONS ARE BASIC.
 ALL DIMENSIONS ARE IN MILLIMETERS.



DEBUR AND BREAK SHARP EDGES DO NOT SCALE DRAWING ASK IF IN DOUBT

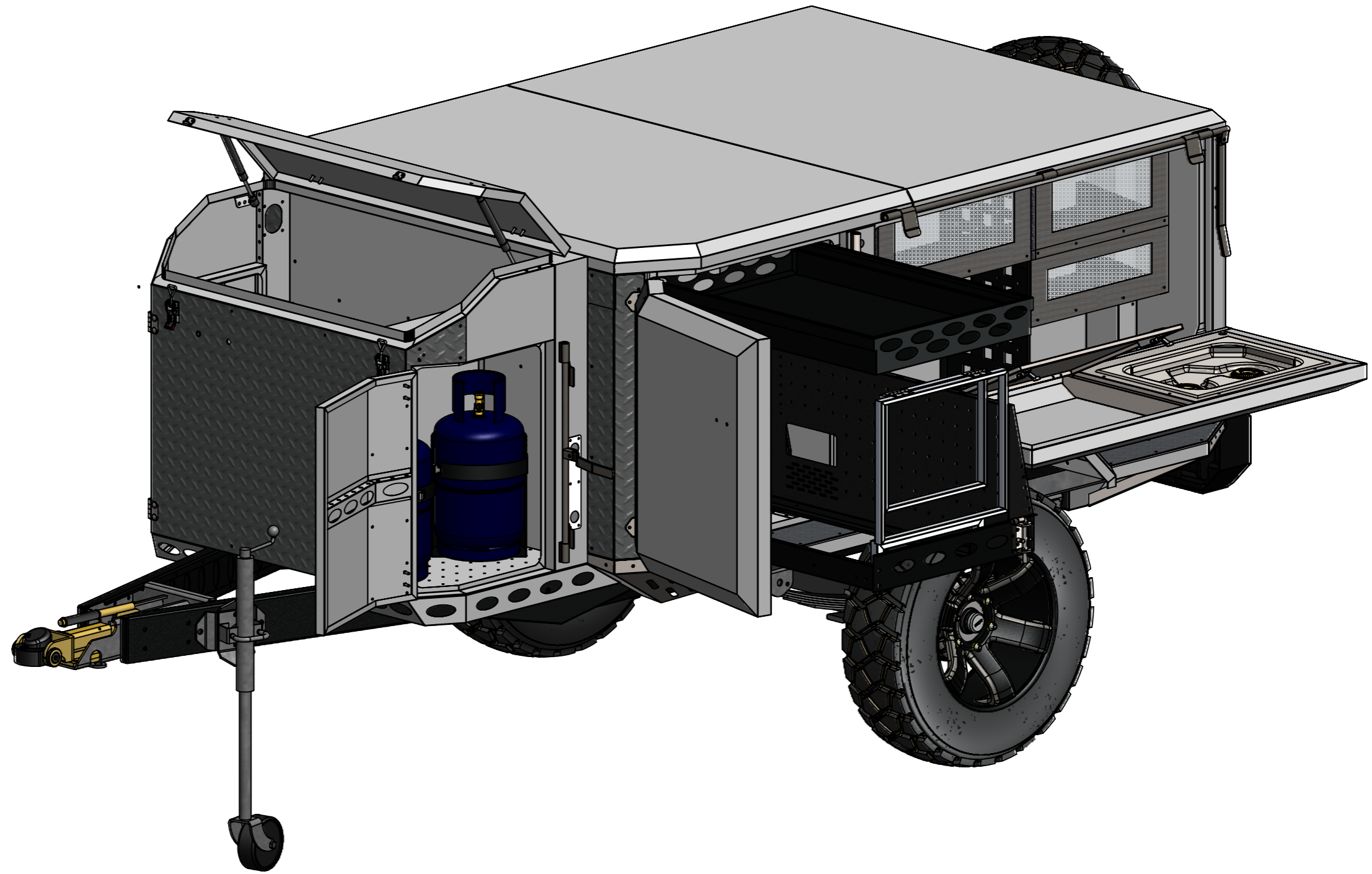
TITLE: Metalian Trailer - Maxi Assembly			
	NAME	SIGN	DATE
DRAWN BY			
APPV'D BY			

CLIENT:			
			
34B Fabriek Street Kuilsvier, Cape Town South Africa Tel: +27 21 903 9623 Fax: +27 21 906 2090 www.metalian.co.za			
WEIGHT:	SCALE:	REV NO:	SHEET 1 OF 1

MATERIAL:
THICKNESS: 3.00mm
FINISH:
DWG NO.

1 2 3 4 5 6 7 8

REVISIONS				
REV.	DATE	BY	DESCRIPTION	ECO #

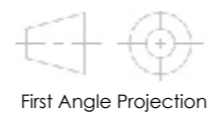


Sign below to approve drawing and give us a go ahead to manufacture as per drawing. **NB:** No work will be done prior to the drawing's approval.

APPROVED	
Date: _____	Name: _____
Signature: _____	



UNLESS OTHERWISE SPECIFIED:
 DIMENSIONING AND TOLERANCING IS IN ACCORDANCE WITH ASME Y14.5-2009.
 UNTOLERANCED DIMENSIONS ARE BASIC.
 ALL DIMENSIONS ARE IN MILLIMETERS.



DEBUR AND BREAK SHARP EDGES DO NOT SCALE DRAWING ASK IF IN DOUBT

TITLE: Metalian Trailer - Maxi Assembly			
	NAME	SIGN	DATE
DRAWN BY			
APPV'D BY			

CLIENT:

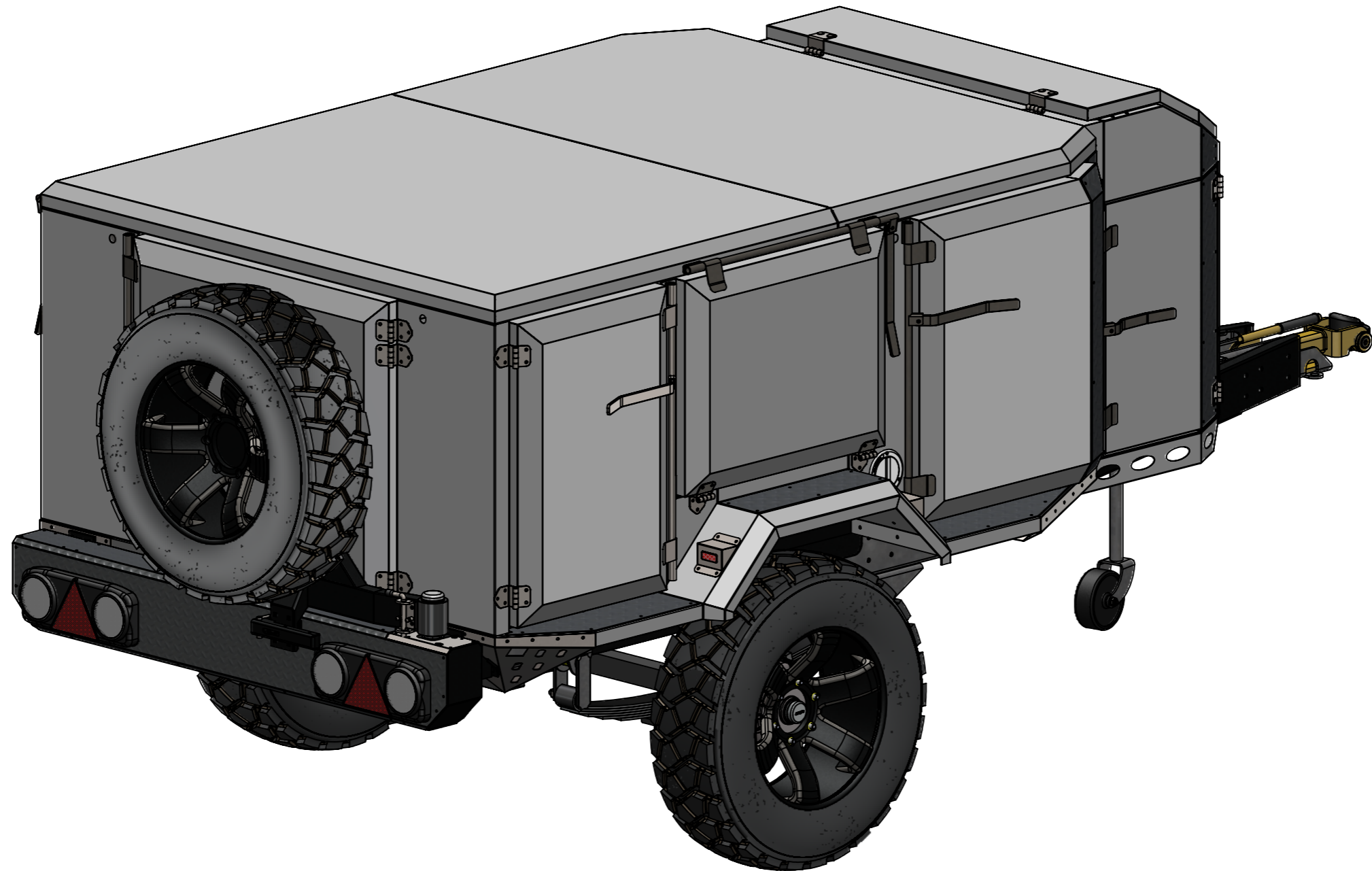
34B Fabriek Street
 Kuilsriver, Cape Town
 South Africa
 Tel: +27 21 903 9623
 Fax: +27 21 906 2090
 www.metalian.co.za

copyright © Heinz Modricky

MATERIAL:
THICKNESS: 3.00mm
FINISH:
DWG NO.

1 2 3 4 5 6 7 8

REVISIONS				
REV.	DATE	BY	DESCRIPTION	ECO #

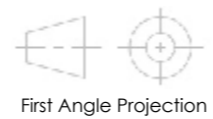


Sign below to approve drawing and give us a go ahead to manufacture as per drawing. **NB:** No work will be done prior to the drawing's approval.

APPROVED	
Date: _____	Name: _____
Signature: _____	



UNLESS OTHERWISE SPECIFIED:
 DIMENSIONING AND TOLERANCING IS IN ACCORDANCE WITH ASME Y14.5-2009.
 UNTOLERANCED DIMENSIONS ARE BASIC.
 ALL DIMENSIONS ARE IN MILLIMETERS.



DEBUR AND BREAK SHARP EDGES DO NOT SCALE DRAWING ASK IF IN DOUBT

TITLE: Metalian Trailer - Maxi Assembly			
	NAME	SIGN	DATE
DRAWN BY			
APPV'D BY			

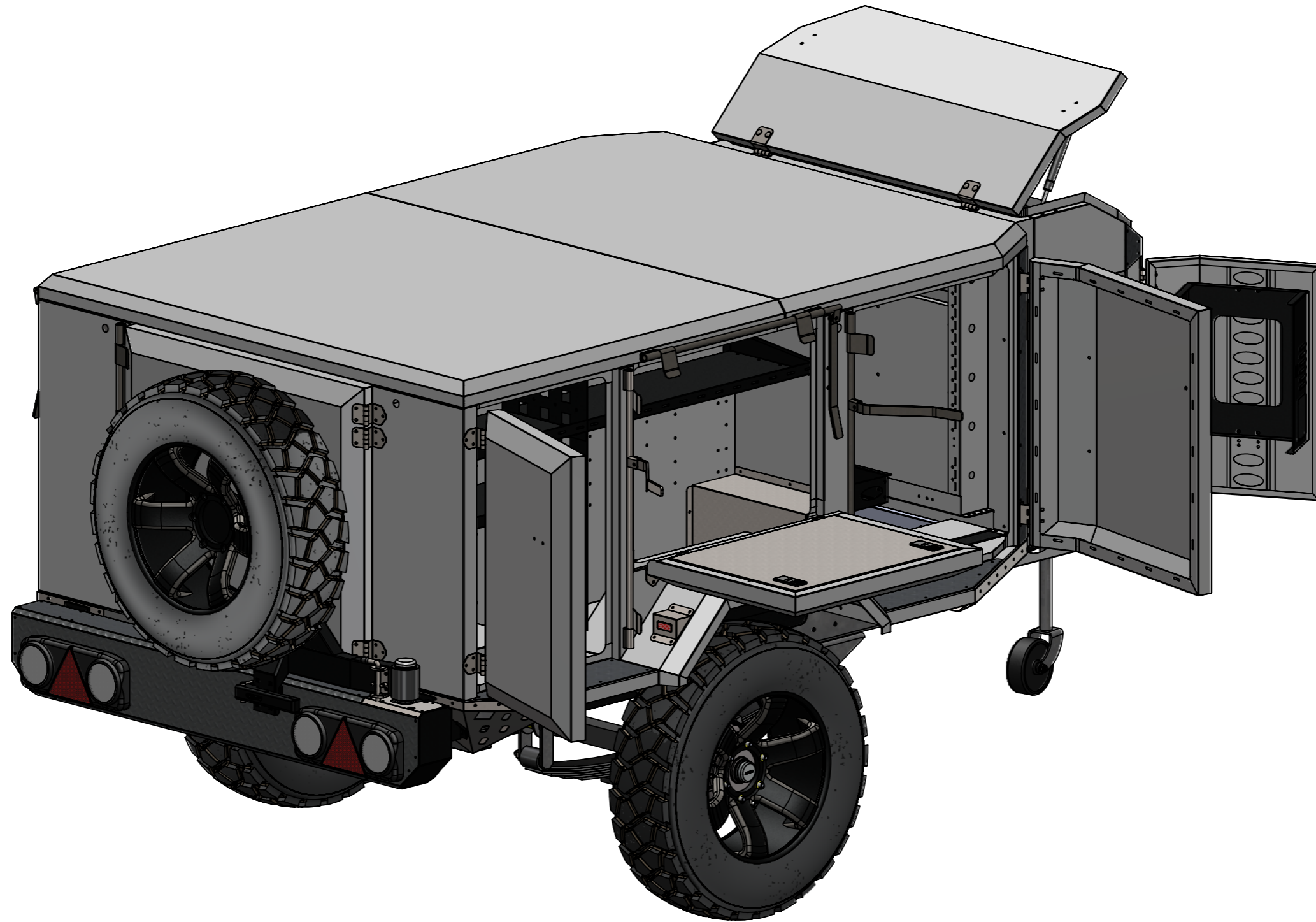
CLIENT:

34B Fabriek Street
 Kuilsriver, Cape Town
 South Africa
 Tel: +27 21 903 9623
 Fax: +27 21 906 2090
 www.metalian.co.za

copyright © Heinz Modricky

MATERIAL:
THICKNESS: 3.00mm
FINISH:
DWG NO.

REVISIONS				
REV.	DATE	BY	DESCRIPTION	ECO #



Sign below to approve drawing and give us a go ahead to manufacture as per drawing. **NB:** No work will be done prior to the drawing's approval.

APPROVED	
Date: _____	Name: _____
Signature: _____	



UNLESS OTHERWISE SPECIFIED:
 DIMENSIONING AND TOLERANCING IS IN ACCORDANCE WITH ASME Y14.5-2009.
 UNTOLERANCED DIMENSIONS ARE BASIC.
 ALL DIMENSIONS ARE IN MILLIMETERS.



DEBUR AND BREAK SHARP EDGES DO NOT SCALE DRAWING ASK IF IN DOUBT

TITLE: Metalian Trailer - Maxi Assembly			
	NAME	SIGN	DATE
DRAWN BY			
APPV'D BY			

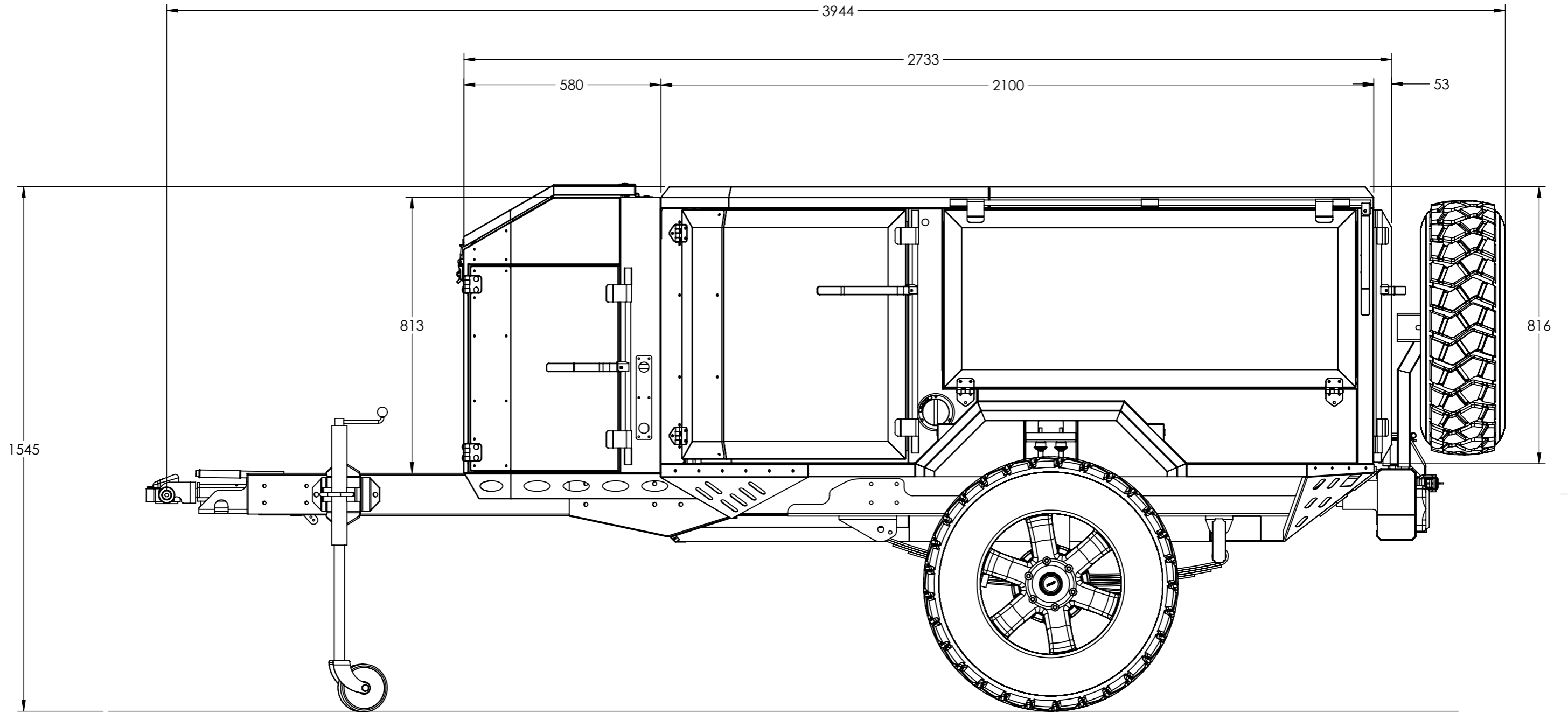
CLIENT:

34B Fabriek Street
 Kuilsriver, Cape Town
 South Africa
 Tel: +27 21 903 9623
 Fax: +27 21 906 2090
 www.metalian.co.za

copyright © Heinz Modricky

MATERIAL:
THICKNESS: 3.00mm
FINISH:
DWG NO.

REVISIONS				
REV.	DATE	BY	DESCRIPTION	ECO #

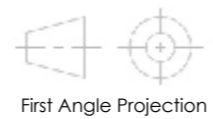


Sign below to approve drawing and give us a go ahead to manufacture as per drawing. **NB:** No work will be done prior to the drawing's approval.

APPROVED	
Date: _____	Name: _____
Signature: _____	



UNLESS OTHERWISE SPECIFIED:
 DIMENSIONING AND TOLERANCING IS IN ACCORDANCE WITH ASME Y14.5-2009.
 UNTOLERANCED DIMENSIONS ARE BASIC.
 ALL DIMENSIONS ARE IN MILLIMETERS.



DEBUR AND BREAK SHARP EDGES DO NOT SCALE DRAWING ASK IF IN DOUBT

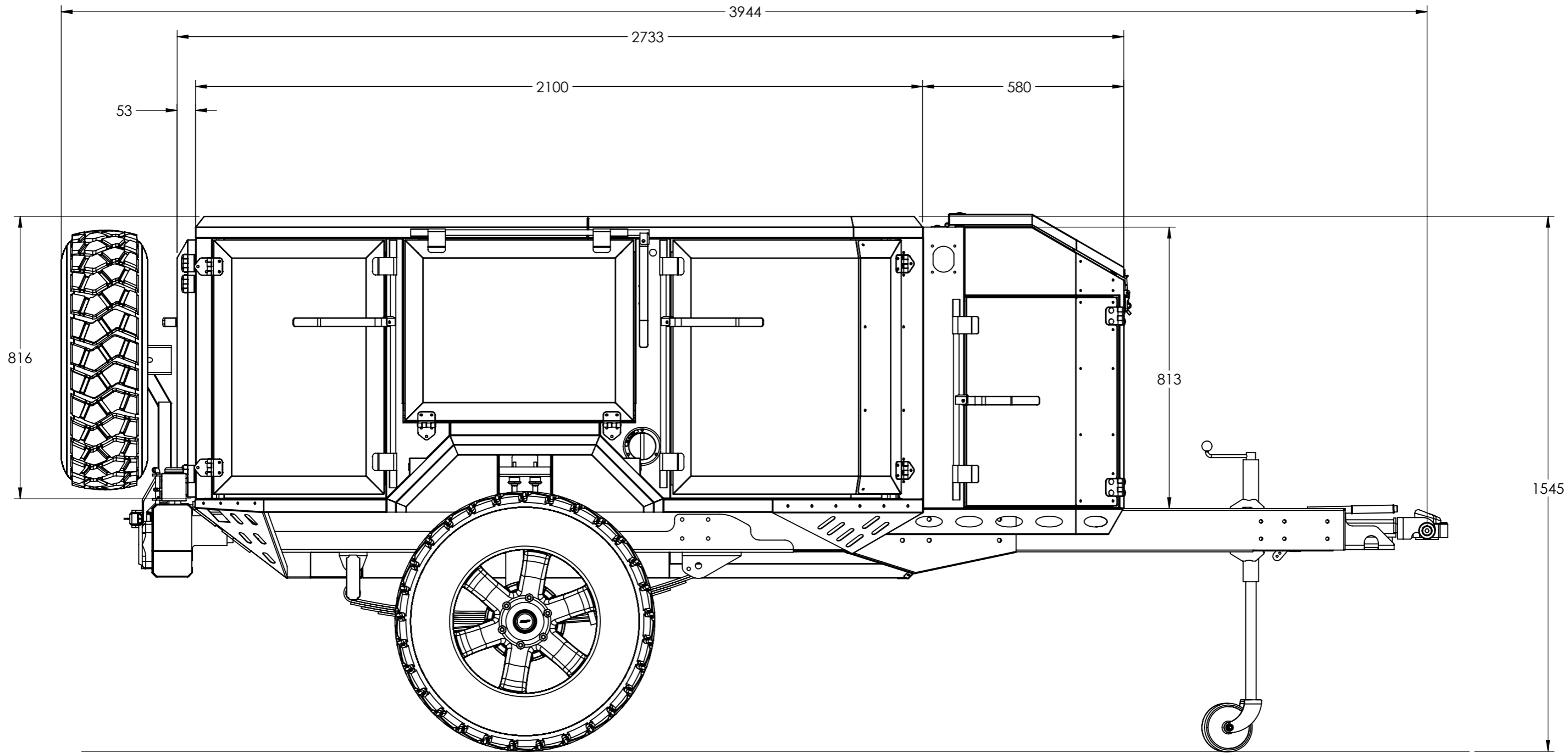
TITLE: Metalian Trailer - Maxi Assembly			
	NAME	SIGN	DATE
DRAWN BY			
APPV'D BY			

CLIENT:

34B Fabriek Street
 Kuilsriver, Cape Town
 South Africa
 Tel: +27 21 903 9623
 Fax: +27 21 906 2090
 www.metalian.co.za

MATERIAL:	
THICKNESS:	3.00mm
FINISH:	
DWG NO.	

WEIGHT: SCALE: REV NO: SHEET 1 OF 3

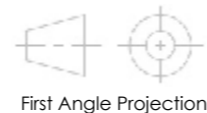


Sign below to approve drawing and give us a go ahead to manufacture as per drawing. **NB:** No work will be done prior to the drawing's approval.

APPROVED	
Date: _____	Name: _____
Signature: _____	



UNLESS OTHERWISE SPECIFIED:
 DIMENSIONING AND TOLERANCING IS IN ACCORDANCE WITH ASME Y14.5-2009.
 UNTOLERANCED DIMENSIONS ARE BASIC.
 ALL DIMENSIONS ARE IN MILLIMETERS.

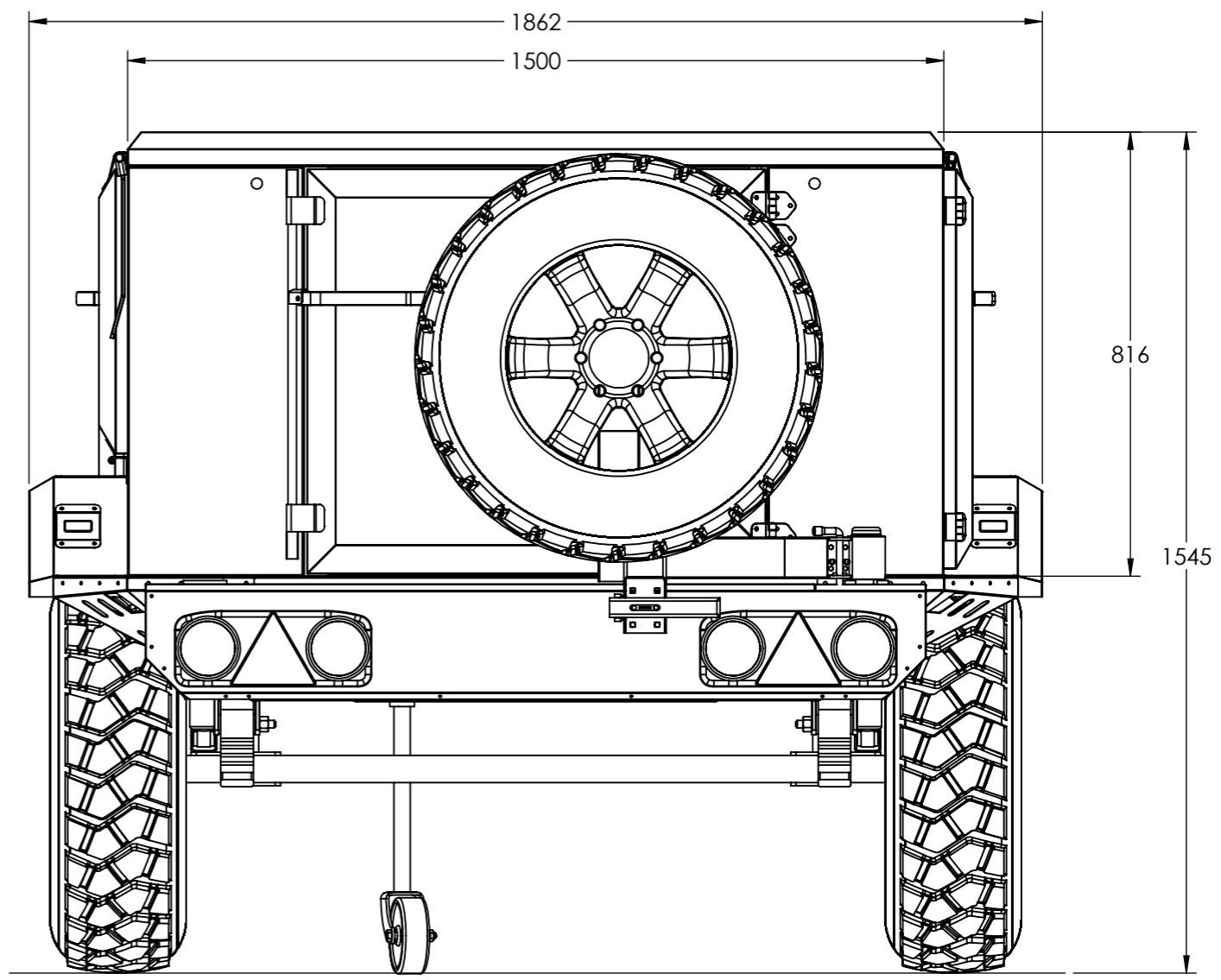
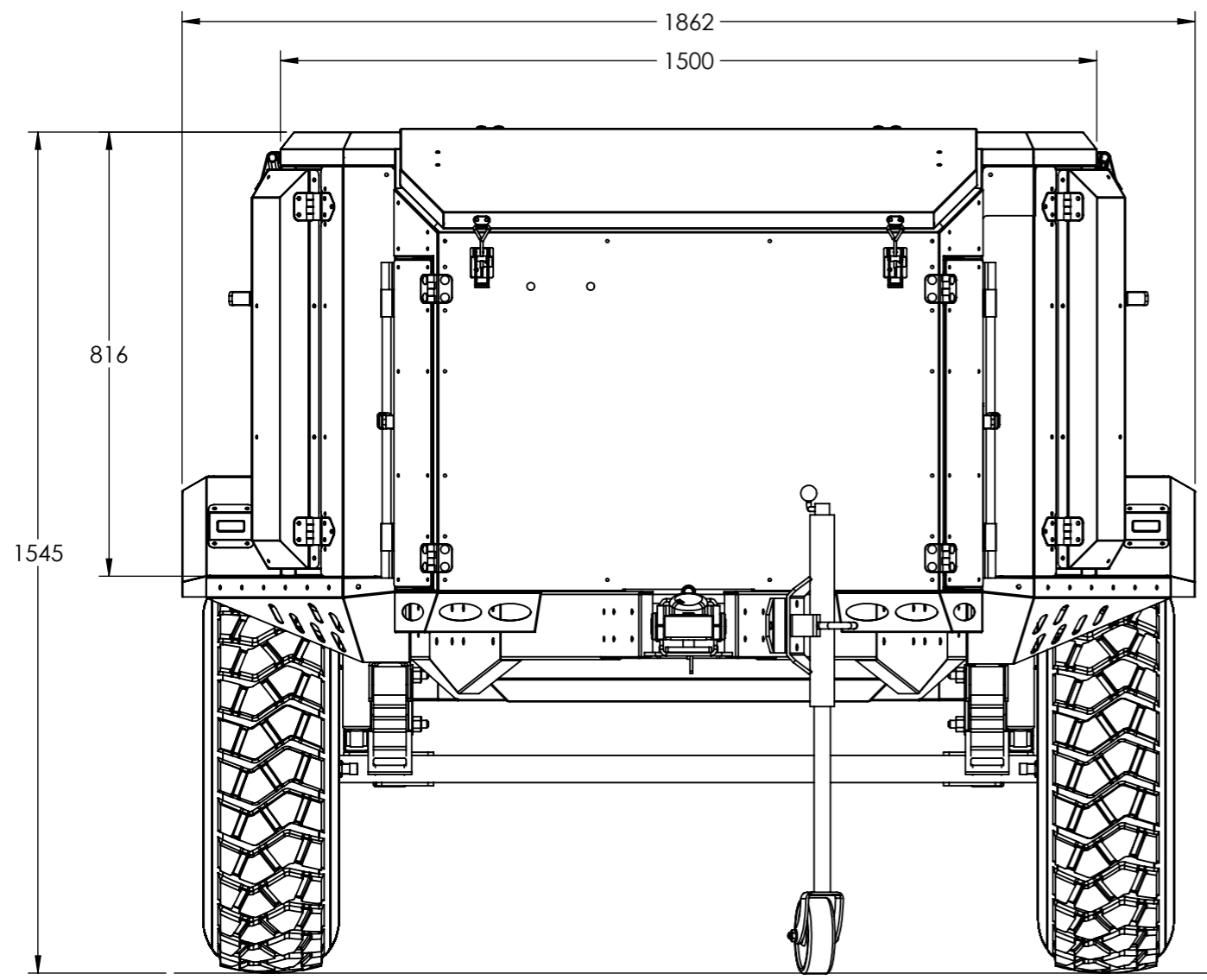


DEBUR AND BREAK SHARP EDGES DO NOT SCALE DRAWING ASK IF IN DOUBT

TITLE: Metalian Trailer - Maxi Assembly			
	NAME	SIGN	DATE
DRAWN BY			
APPV'D BY			

CLIENT:			
 copyright © Heinz Modricky			
34B Fabriek Street Kuilsriver, Cape Town South Africa Tel: +27 21 903 9623 Fax: +27 21 906 2090 www.metalian.co.za			
WEIGHT:	SCALE:	REV NO:	SHEET 2 OF 3

MATERIAL:
THICKNESS: 3.00mm
FINISH:
DWG NO.



Sign below to approve drawing and give us a go ahead to manufacture as per drawing. **NB:** No work will be done prior to the drawing's approval.

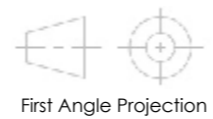
APPROVED

Date: _____ Name: _____

Signature: _____



UNLESS OTHERWISE SPECIFIED:
 DIMENSIONING AND TOLERANCING IS IN ACCORDANCE WITH ASME Y14.5-2009.
 UNTOLERANCED DIMENSIONS ARE BASIC.
 ALL DIMENSIONS ARE IN MILLIMETERS.



DEBUR AND BREAK SHARP EDGES DO NOT SCALE DRAWING ASK IF IN DOUBT

TITLE: Metalian Trailer - Maxi Assembly		
NAME	SIGN	DATE
DRAWN BY		
APPV'D BY		

CLIENT:			
 copyright © Heinz Modricky			
34B Fabriek Street Kuilsriver, Cape Town South Africa Tel: +27 21 903 9623 Fax: +27 21 906 2090 www.metalian.co.za			
WEIGHT:	SCALE:	REV NO:	SHEET 3 OF 3

MATERIAL:
THICKNESS: 3.00mm
FINISH:
DWG NO.