

1 2 3 4 5 6 7 8

REVISIONS				
REV.	DATE	BY	DESCRIPTION	ECO #

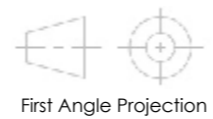


Sign below to approve drawing and give us a go ahead to manufacture as per drawing. **NB:** No work will be done prior to the drawing's approval.

<b>APPROVED</b>	
Date: _____	Name: _____
Signature: _____	



**UNLESS OTHERWISE SPECIFIED:**  
 DIMENSIONING AND TOLERANCING IS IN ACCORDANCE WITH ASME Y14.5-2009.  
 UNTOLERANCED DIMENSIONS ARE BASIC.  
 ALL DIMENSIONS ARE IN MILLIMETERS.



DEBUR AND BREAK SHARP EDGES    DO NOT SCALE DRAWING    ASK IF IN DOUBT

TITLE: Metalian Trailer - Parthian Assembly			
	NAME	SIGN	DATE
DRAWN BY			
APPV'D BY			

CLIENT:

34B Fabriek Street  
 Kuilsriver, Cape Town  
 South Africa  
 Tel: +27 21 903 9623  
 Fax: +27 21 906 2090  
 www.metalian.co.za

copyright © Heinz Modricky

MATERIAL:
THICKNESS: 3.00mm
FINISH:
DWG NO.

1 2 3 4 5 6 7 8

1 2 3 4 5 6 7 8

REVISIONS				
REV.	DATE	BY	DESCRIPTION	ECO #

A

B

C

D

E

F



Sign below to approve drawing and give us a go ahead to manufacture as per drawing. **NB:** No work will be done prior to the drawing's approval.

**APP**  
 Date: \_\_\_\_\_  
 Signature: \_\_\_\_\_

**UNLESS OTHERWISE SPECIFIED:**  
 DIMENSIONING AND TOLERANCING IS IN ACCORDANCE WITH ASME Y14.5-2009.  
 UNTOLERANCED DIMENSIONS ARE BASIC.  
 ALL DIMENSIONS ARE IN MILLIMETERS.

First Angle Projection

DEBUR AND BREAK SHARP EDGES DO NOT SCALE DRAWING ASK IF IN DOUBT

TITLE: Metalian Trailer - Parthian Assembly

CLIENT:

MATERIAL:

NAME	SIGN	DATE

DRAWN BY

copyright © Heinz Modricky

34B Fabriek Street  
 Kuilsriver, Cape Town  
 South Africa  
 Tel: +27 21 903 9623  
 Fax: +27 21 906 2090  
 www.metalian.co.za

FINISH:

APPV'D BY

WEIGHT:

SCALE:

REV NO:

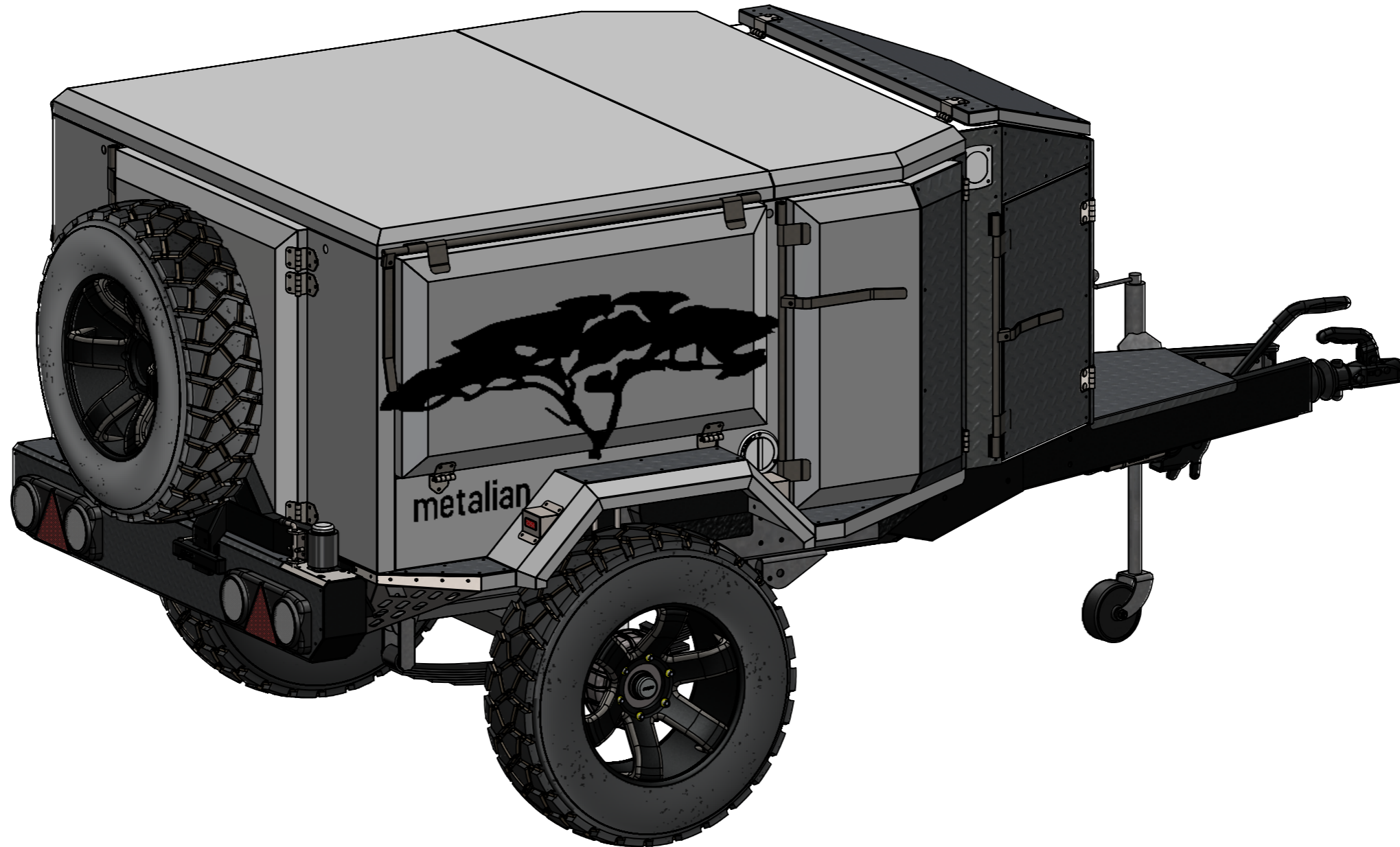
SHEET 1 OF 1

DWG NO.

1 2 3 4 5 6 7 8

1 2 3 4 5 6 7 8

REVISIONS				
REV.	DATE	BY	DESCRIPTION	ECO #



A  
B  
C  
D  
E  
F

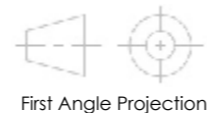
A  
B  
C  
D  
E  
F

Sign below to approve drawing and give us a go ahead to manufacture as per drawing. **NB:** No work will be done prior to the drawing's approval.

<b>APPROVED</b>	
Date: _____	Name: _____
Signature: _____	



**UNLESS OTHERWISE SPECIFIED:**  
DIMENSIONING AND TOLERANCING IS IN ACCORDANCE WITH ASME Y14.5-2009.  
UNTOLERANCED DIMENSIONS ARE BASIC.  
ALL DIMENSIONS ARE IN MILLIMETERS.



DEBUR AND BREAK SHARP EDGES    DO NOT SCALE DRAWING    ASK IF IN DOUBT

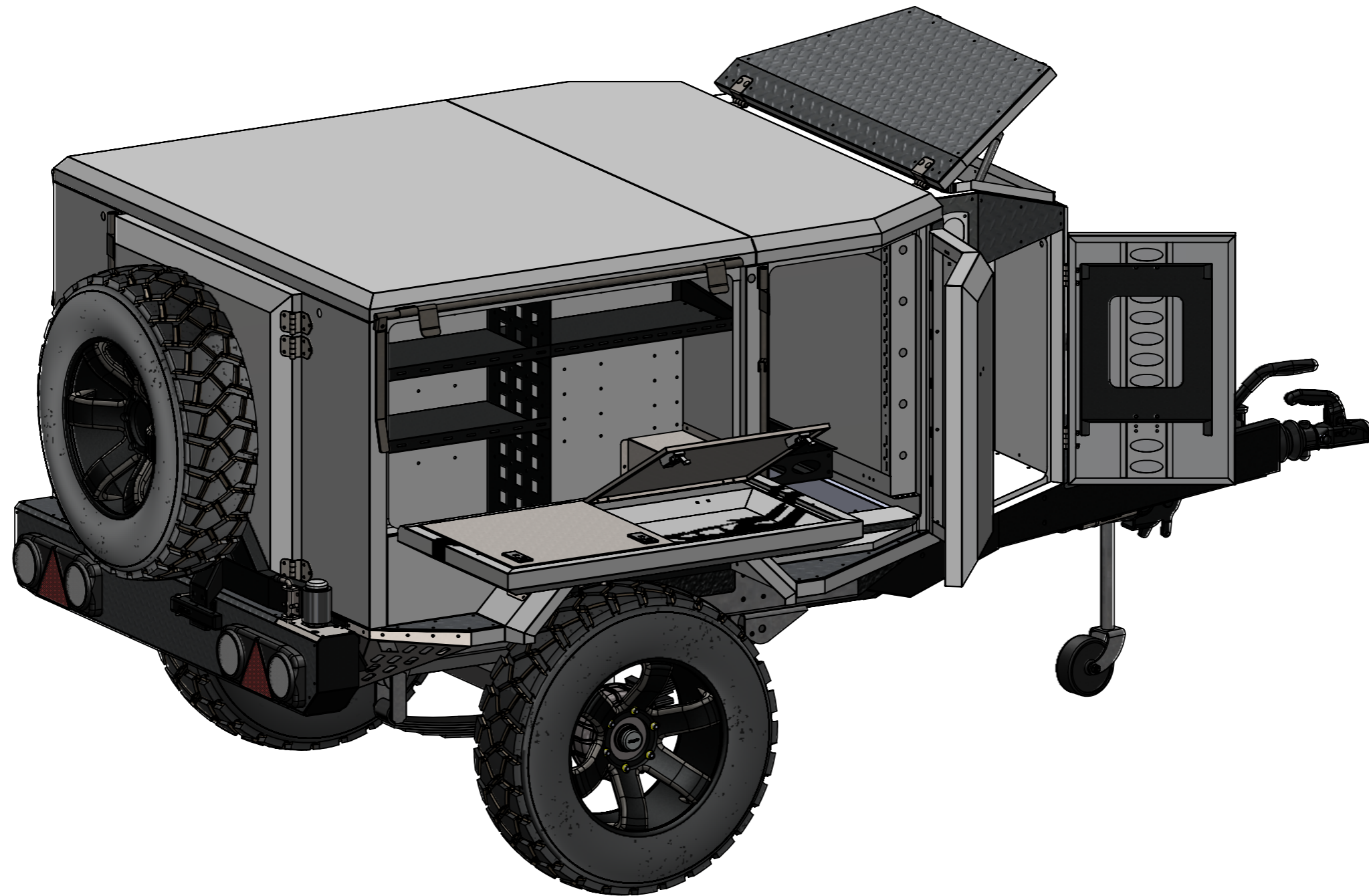
TITLE: Metalian Trailer - Parthian Assembly			
	NAME	SIGN	DATE
DRAWN BY			
APPV'D BY			

CLIENT:			
 copyright © Heinz Modricky			
34B Fabriek Street Kuilsriver, Cape Town South Africa Tel: +27 21 903 9623 Fax: +27 21 906 2090 www.metalian.co.za			
WEIGHT:	SCALE:	REV NO:	SHEET 1 OF 1

MATERIAL:
THICKNESS: 3.00mm
FINISH:
DWG NO.

1 2 3 4 5 6 7 8

REVISIONS				
REV.	DATE	BY	DESCRIPTION	ECO #

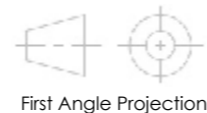


Sign below to approve drawing and give us a go ahead to manufacture as per drawing. **NB:** No work will be done prior to the drawing's approval.

<b>APPROVED</b>	
Date: _____	Name: _____
Signature: _____	



**UNLESS OTHERWISE SPECIFIED:**  
 DIMENSIONING AND TOLERANCING IS IN ACCORDANCE WITH ASME Y14.5-2009.  
 UNTOLERANCED DIMENSIONS ARE BASIC.  
 ALL DIMENSIONS ARE IN MILLIMETERS.



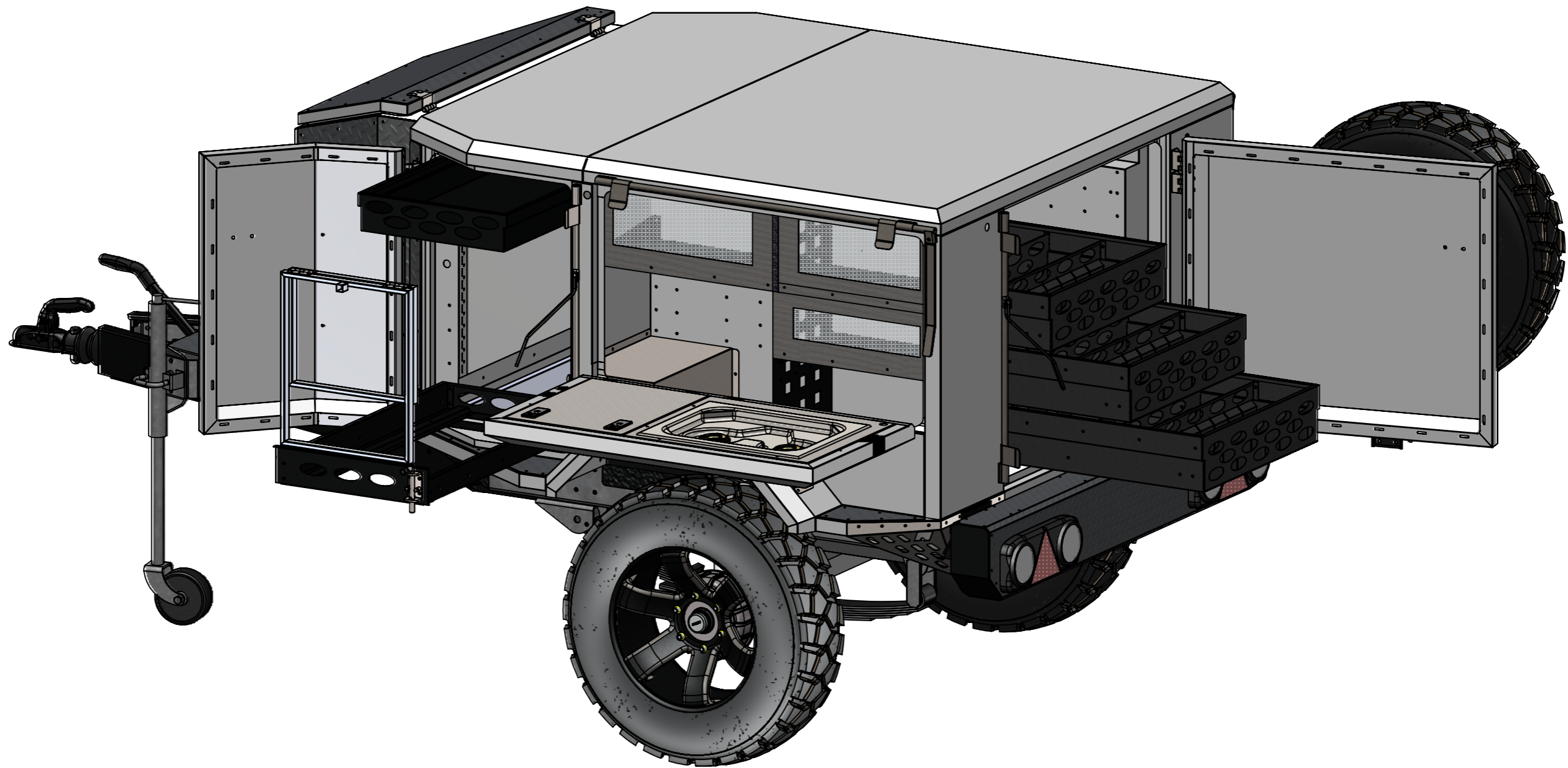
DEBUR AND BREAK SHARP EDGES    DO NOT SCALE DRAWING    ASK IF IN DOUBT

TITLE: Metalian Trailer - Parthian Assembly			
	NAME	SIGN	DATE
DRAWN BY			
APPV'D BY			

CLIENT:			
<small>34B Fabriek Street                  Kuilsriver, Cape Town                  South Africa                  Tel: +27 21 903 9623                  Fax: +27 21 906 2090                  www.metalian.co.za</small>			
WEIGHT:	SCALE:	REV NO:	SHEET 1 OF 1

MATERIAL:
THICKNESS: 3.00mm
FINISH:
DWG NO.

REVISIONS				
REV.	DATE	BY	DESCRIPTION	ECO #



Sign below to approve drawing and give us a go ahead to manufacture as per drawing. **NB:** No work will be done prior to the drawing's approval.

Date: \_\_\_\_\_ Name: \_\_\_\_\_  
Signature: \_\_\_\_\_



**UNLESS OTHERWISE SPECIFIED:**  
DIMENSIONING AND TOLERANCING IS IN ACCORDANCE WITH ASME Y14.5-2009.  
UNTOLERANCED DIMENSIONS ARE BASIC.  
ALL DIMENSIONS ARE IN MILLIMETERS.



DEBUR AND BREAK SHARP EDGES DO NOT SCALE DRAWING ASK IF IN DOUBT

TITLE: Metalian Trailer - Parthian Assembly

NAME	SIGN	DATE

CLIENT:



WEIGHT: SCALE: REV NO: SHEET 1 OF 1

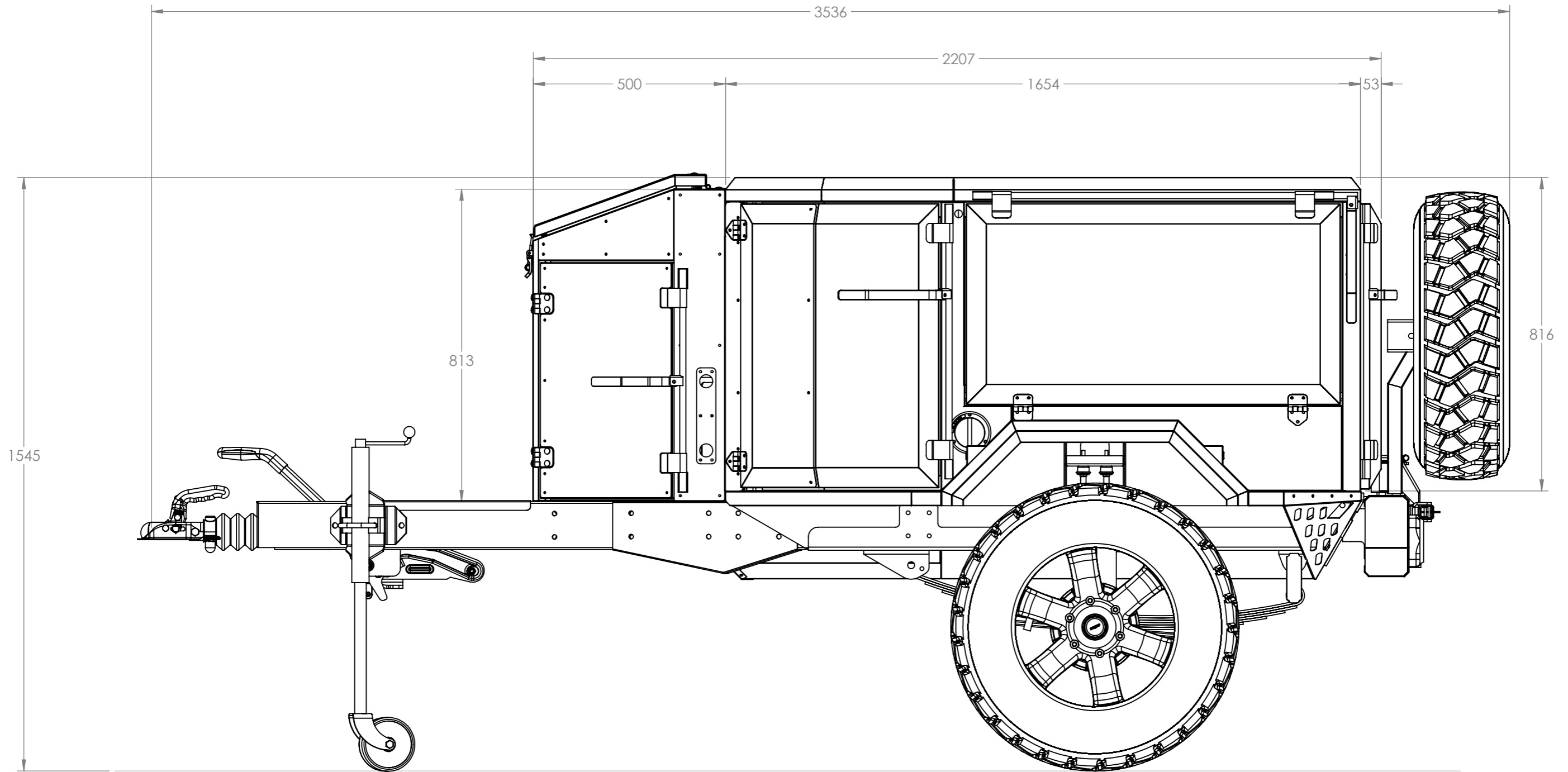
MATERIAL:

THICKNESS: 3.00mm

FINISH:

DWG NO.

REVISIONS				
REV.	DATE	BY	DESCRIPTION	ECO #

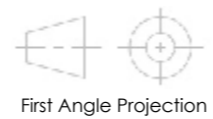


Sign below to approve drawing and give us a go ahead to manufacture as per drawing. **NB:** No work will be done prior to the drawing's approval.

<b>APPROVED</b>	
Date: _____	Name: _____
Signature: _____	



**UNLESS OTHERWISE SPECIFIED:**  
 DIMENSIONING AND TOLERANCING IS IN ACCORDANCE WITH ASME Y14.5-2009.  
 UNTOLERANCED DIMENSIONS ARE BASIC.  
 ALL DIMENSIONS ARE IN MILLIMETERS.



DEBUR AND BREAK SHARP EDGES    DO NOT SCALE DRAWING    ASK IF IN DOUBT

TITLE: Metalian Trailer - Parthian Assembly			
	NAME	SIGN	DATE
DRAWN BY			
APPV'D BY			

CLIENT:

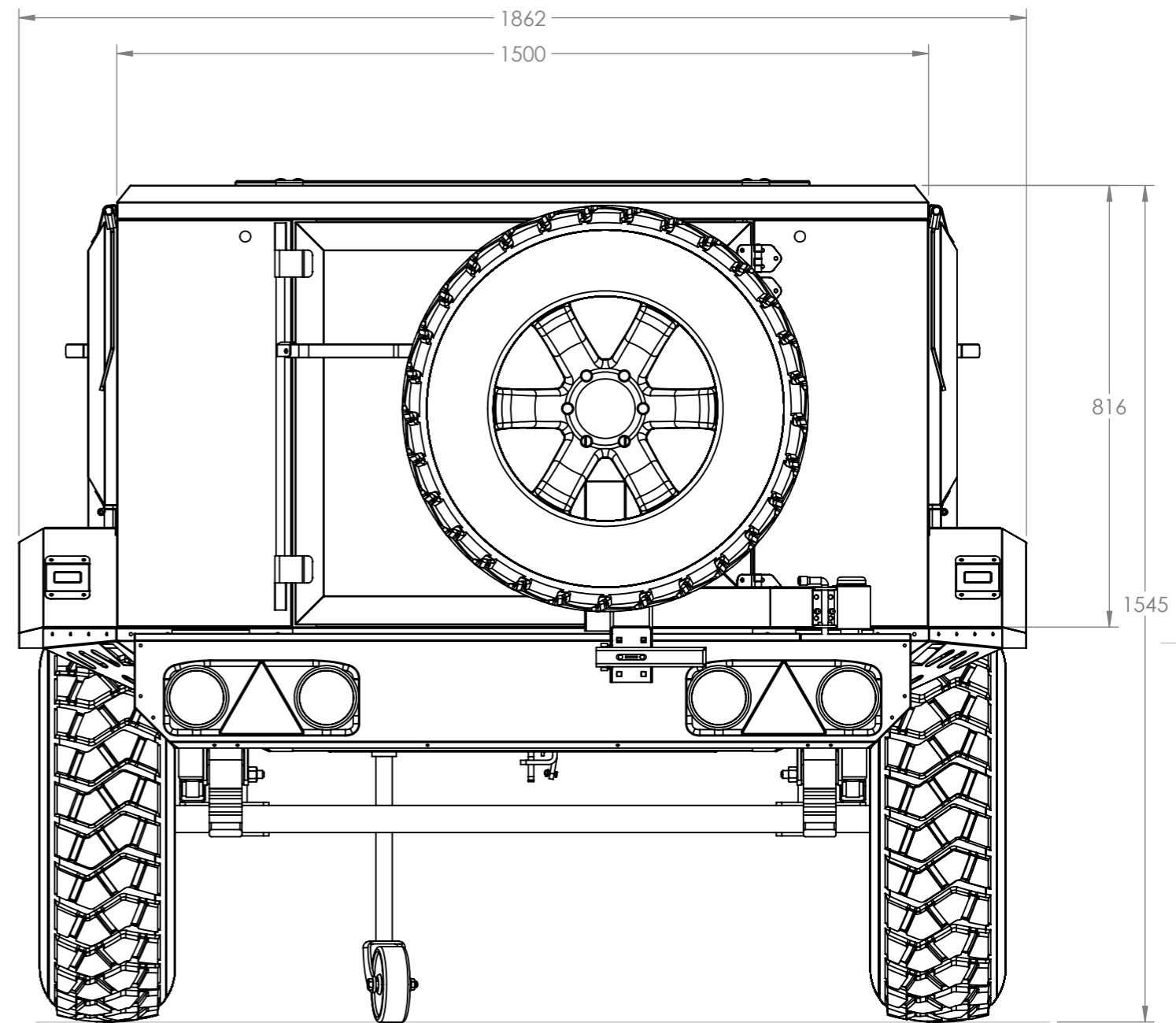
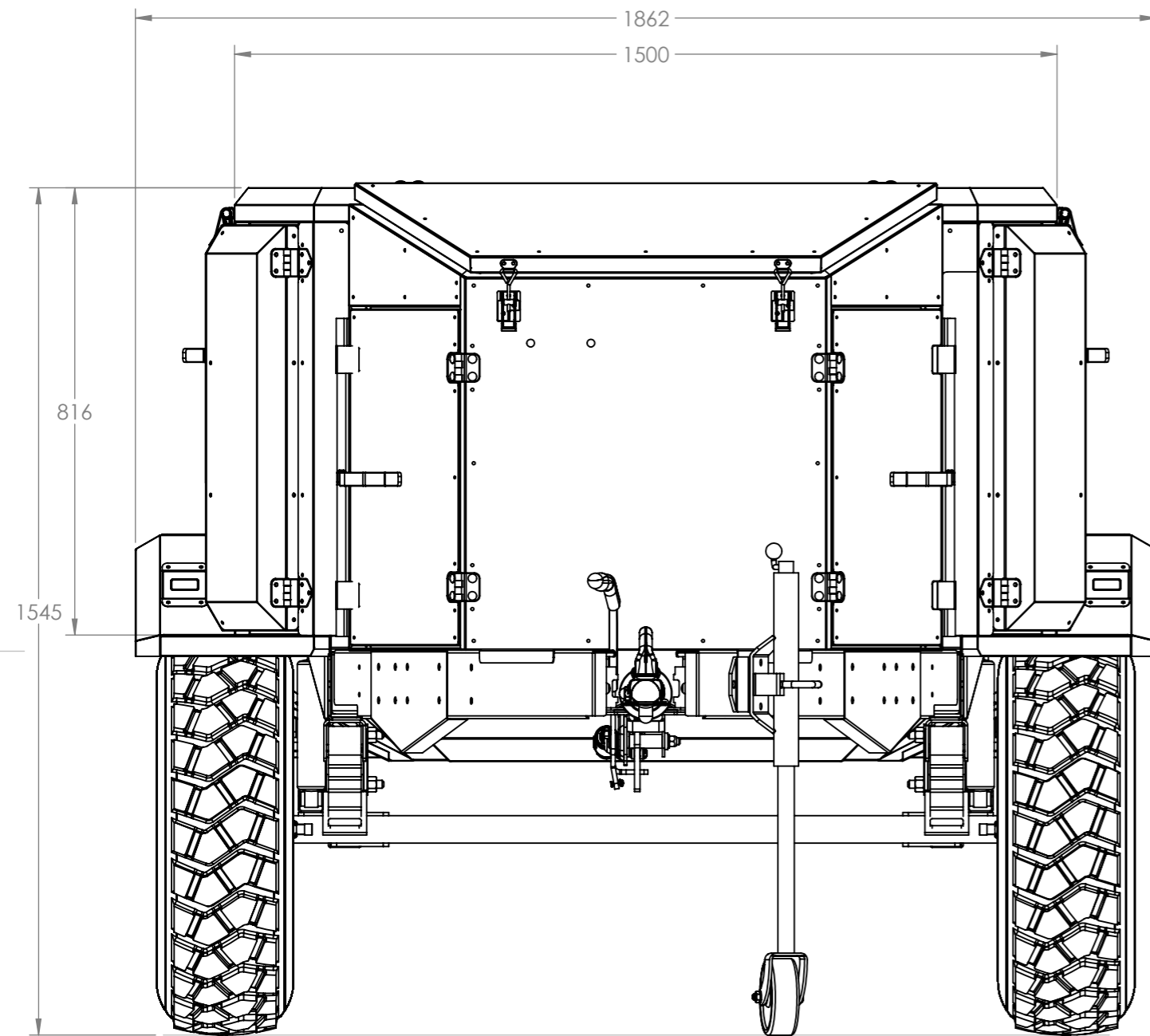
copyright © Heinz Modricky

34B Fabriek Street  
 Kuilsriver, Cape Town  
 South Africa  
 Tel: +27 21 903 9623  
 Fax: +27 21 906 2090  
 www.metalian.co.za

MATERIAL:
THICKNESS: 3.00mm
FINISH:
DWG NO.

WEIGHT:	SCALE:	REV NO:	SHEET 1 OF 3
---------	--------	---------	--------------



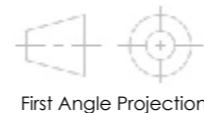


Sign below to approve drawing and give us a go ahead to manufacture as per drawing. **NB:** No work will be done prior to the drawing's approval.

<b>APPROVED</b>	
Date: _____	Name: _____
Signature: _____	



**UNLESS OTHERWISE SPECIFIED:**  
DIMENSIONING AND TOLERANCING IS IN ACCORDANCE WITH ASME Y14.5-2009.  
UNTOLERANCED DIMENSIONS ARE BASIC.  
ALL DIMENSIONS ARE IN MILLIMETERS.



DEBUR AND BREAK SHARP EDGES    DO NOT SCALE DRAWING    ASK IF IN DOUBT

TITLE: Metalian Trailer - Parthian Assembly		
NAME	SIGN	DATE
DRAWN BY		
APPV'D BY		

CLIENT:			
 copyright © Heinz Modricky			
34B Fabriek Street Kuilsriver, Cape Town South Africa Tel: +27 21 903 9623 Fax: +27 21 906 2090 www.metalian.co.za			
WEIGHT:	SCALE:	REV NO:	SHEET 3 OF 3

MATERIAL:
THICKNESS: 3.00mm
FINISH:
DWG NO.